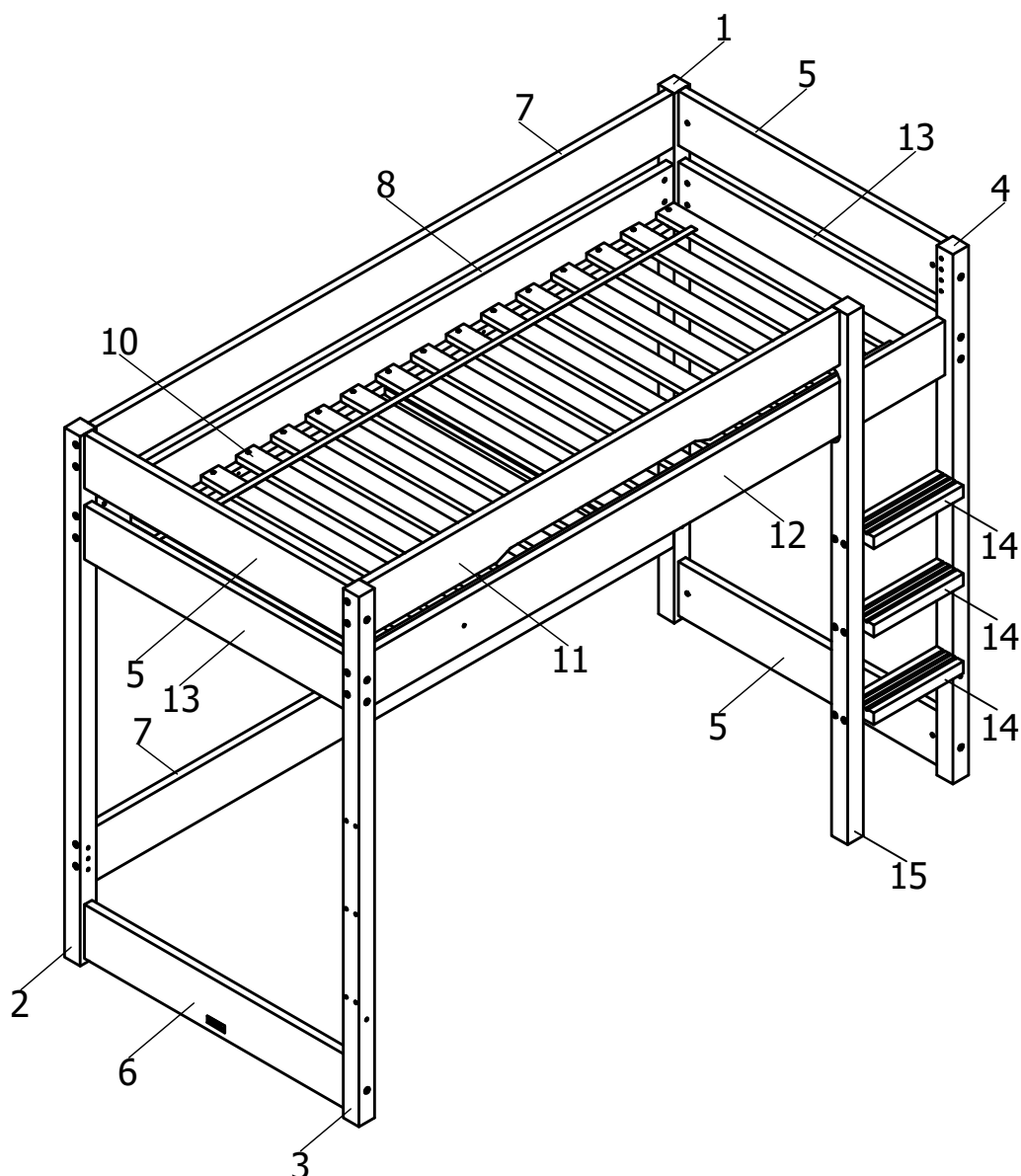


# bopita®

ASSEMBLY INSTRUCTION  
MONTAGE HANDLEIDING  
MONTAGE ANLEITUNG  
NOTICE DE MONTAGE  
MANUAL DE MONTAJE

UK  
NL  
D  
F  
ESP

MODEL : LUCAS  
TYPE : HIGHSLEEPER  
COLOUR : WHITE/NATURAL  
ART.CODE : 129232.03






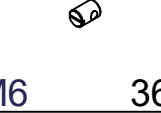
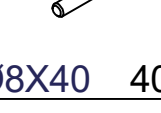


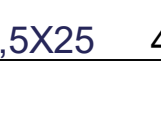

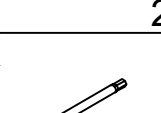
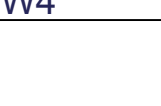
Distributor:

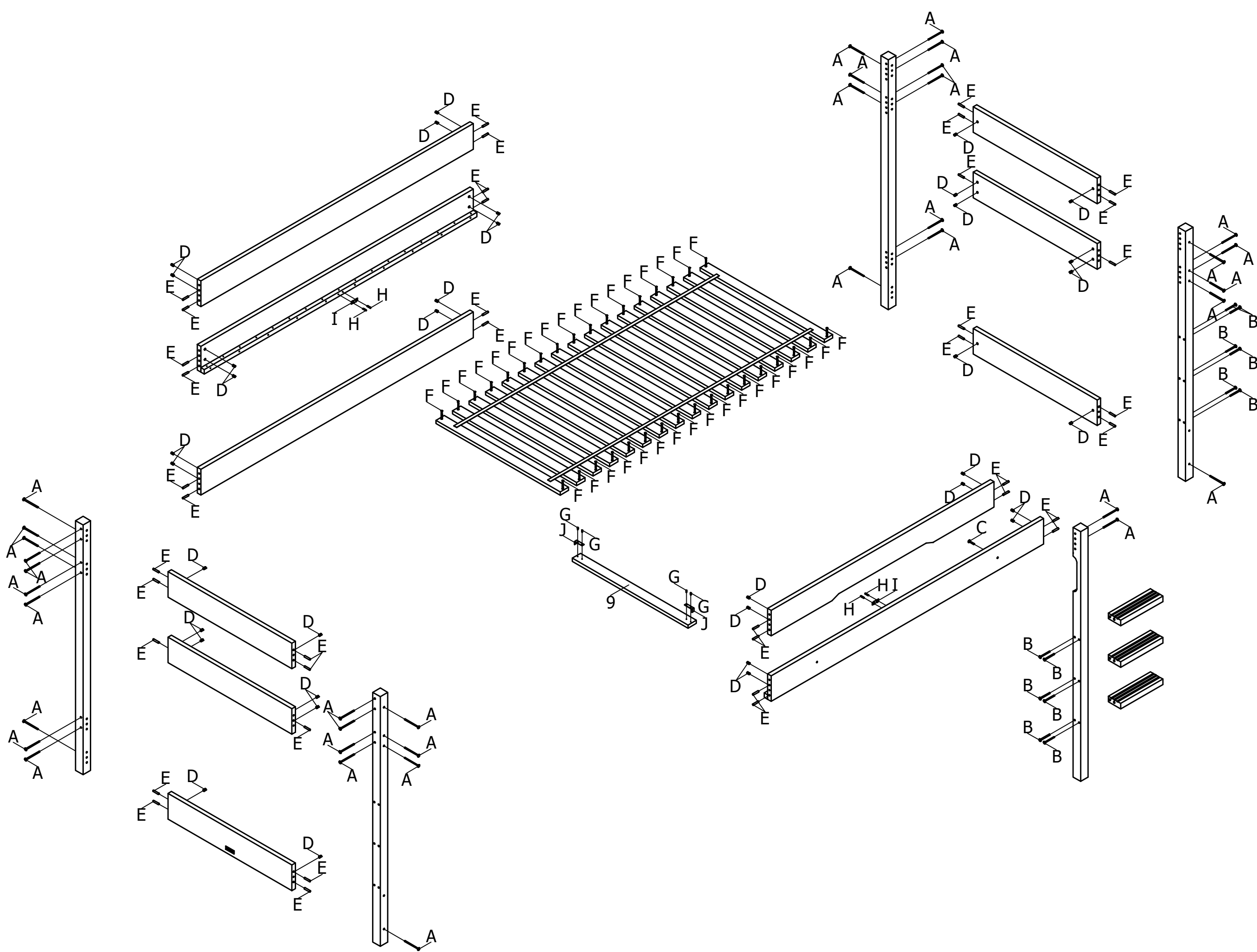
BOPITA  
Edisonweg 3, 6662 NW Elst  
The Netherlands

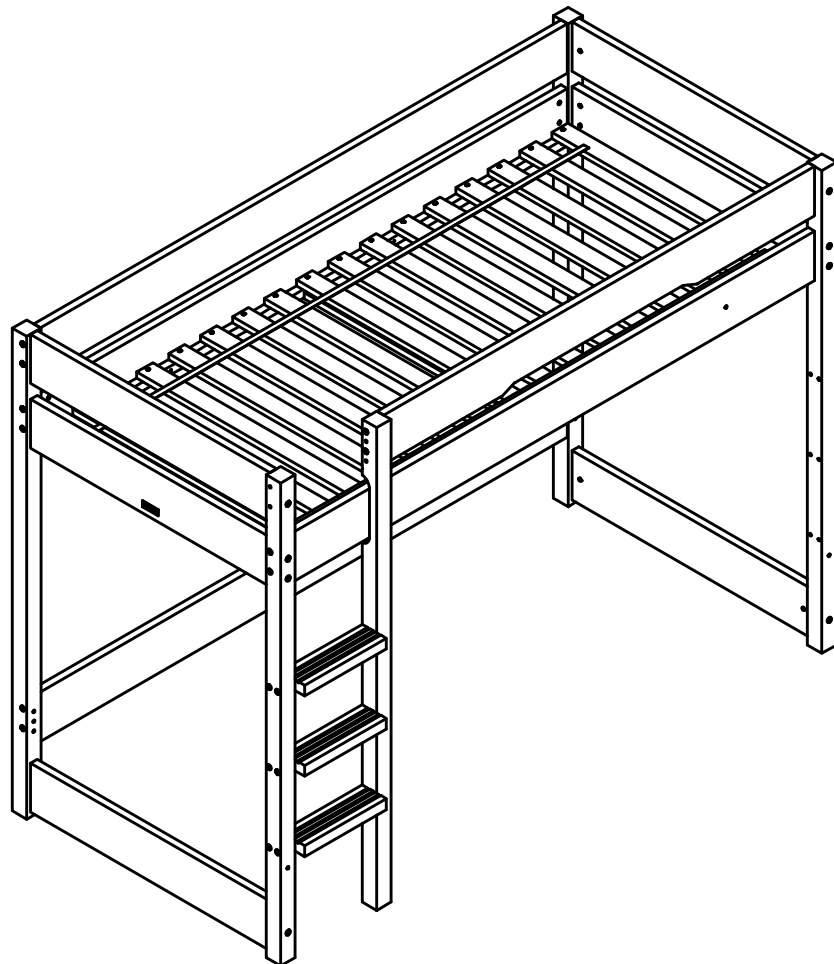
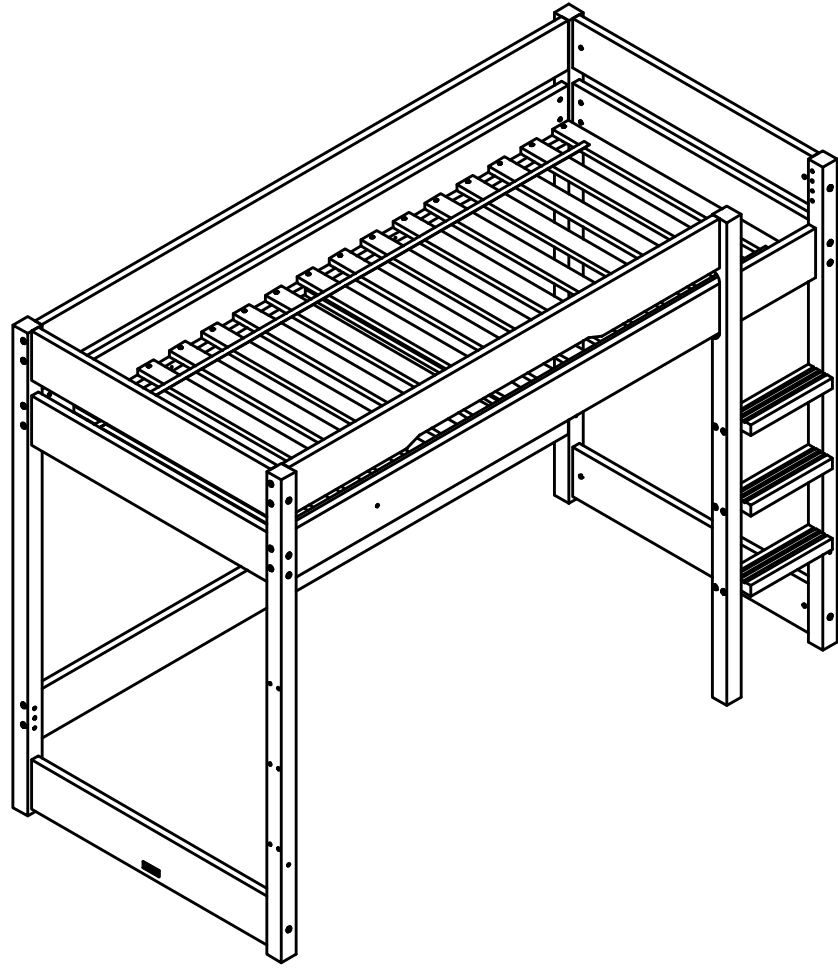
[www.bopita.com](http://www.bopita.com)

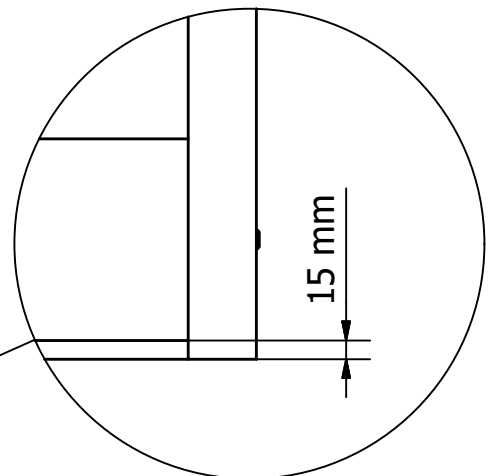
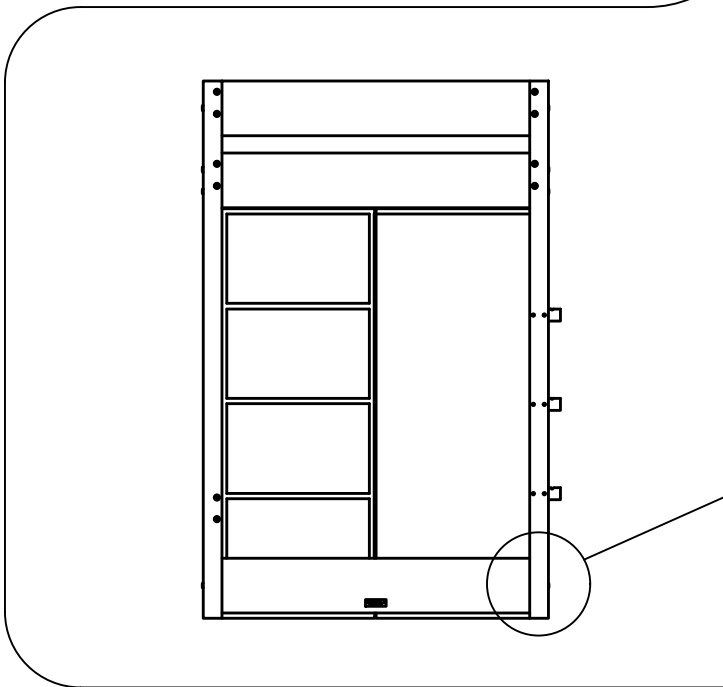
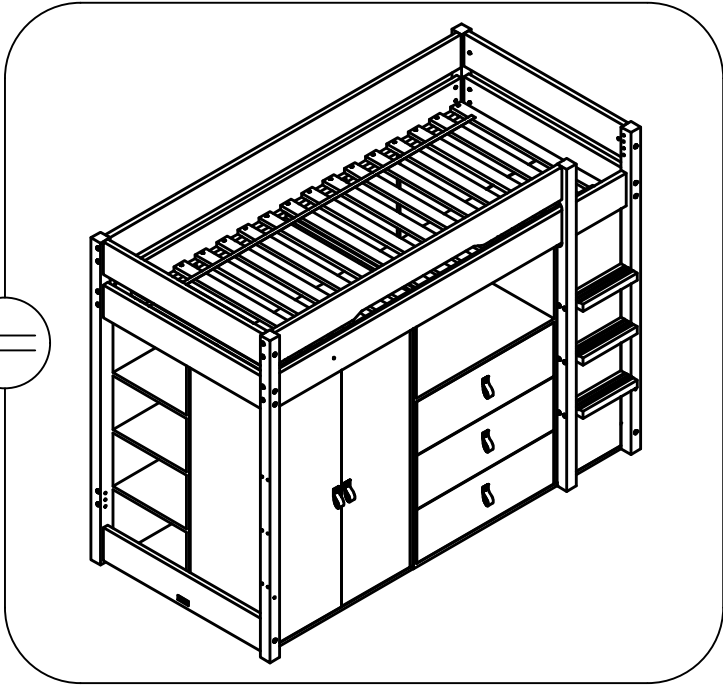
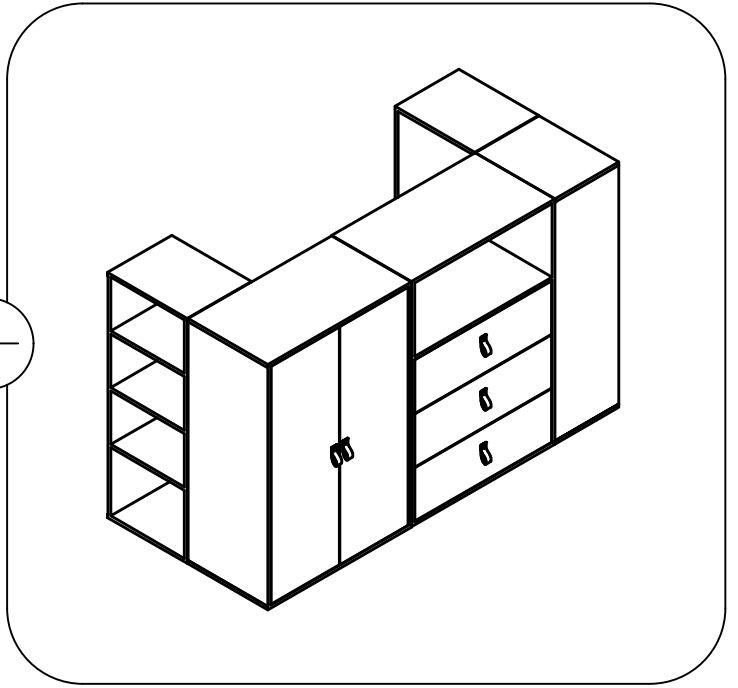
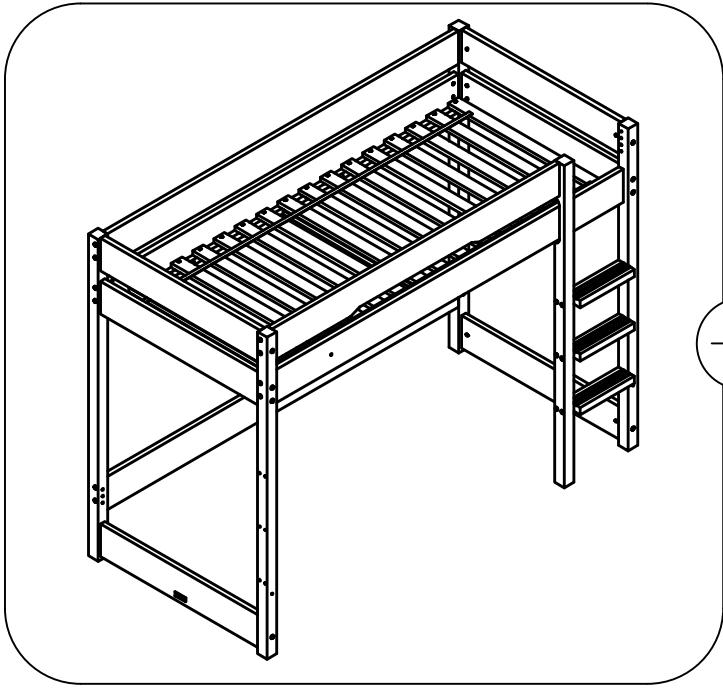


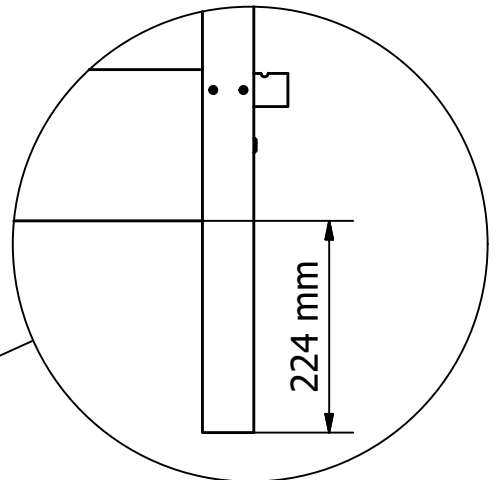
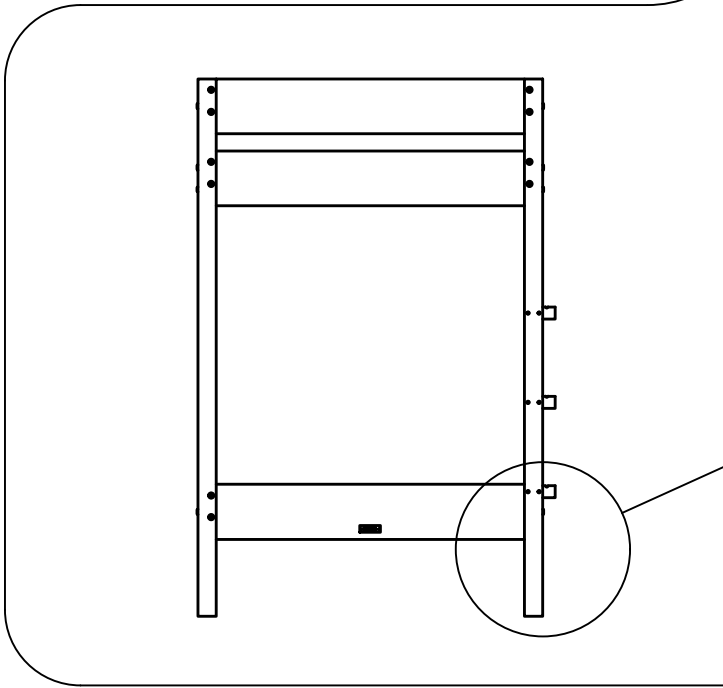
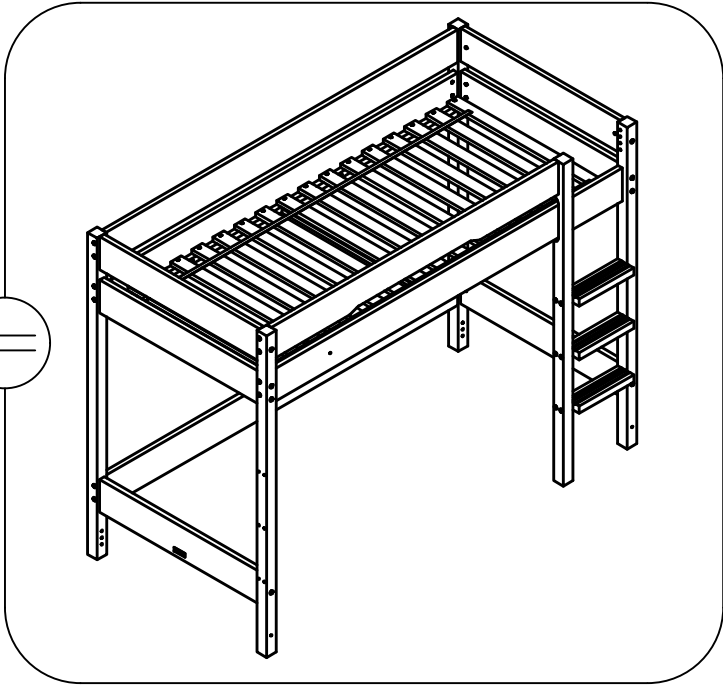
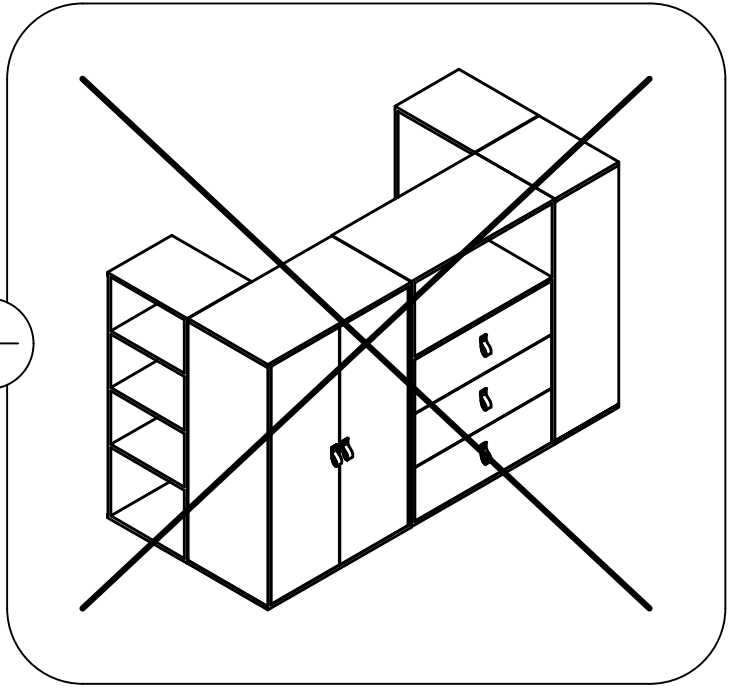
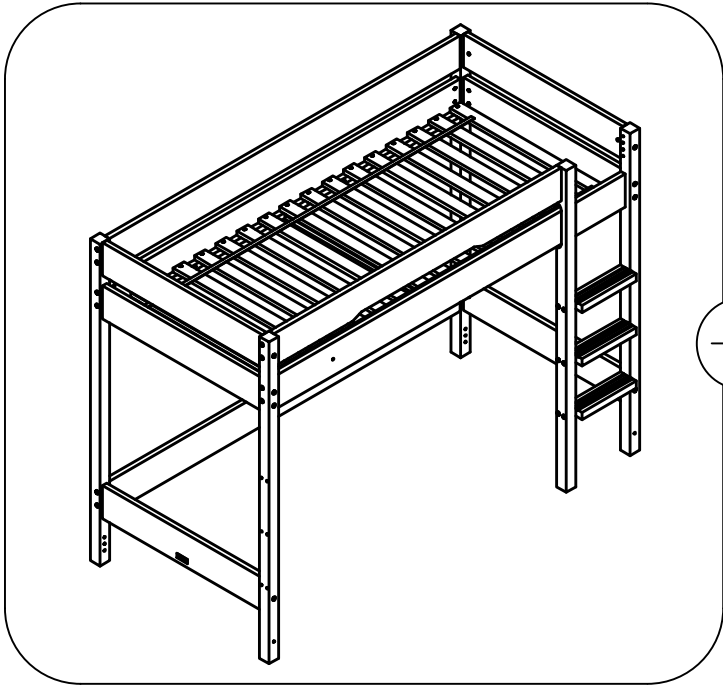
15.03.2023.

A	
M6X100	36X
B	
M6X70	12X
C	
M6X35	1X
D	
M6	36X
E	
Ø8X40	40X
F	
5X40	34X
G	
3,5X16	4X
H	
3,5X25	4X
I	
	2X
J	
	2X
K	
SW4	1X

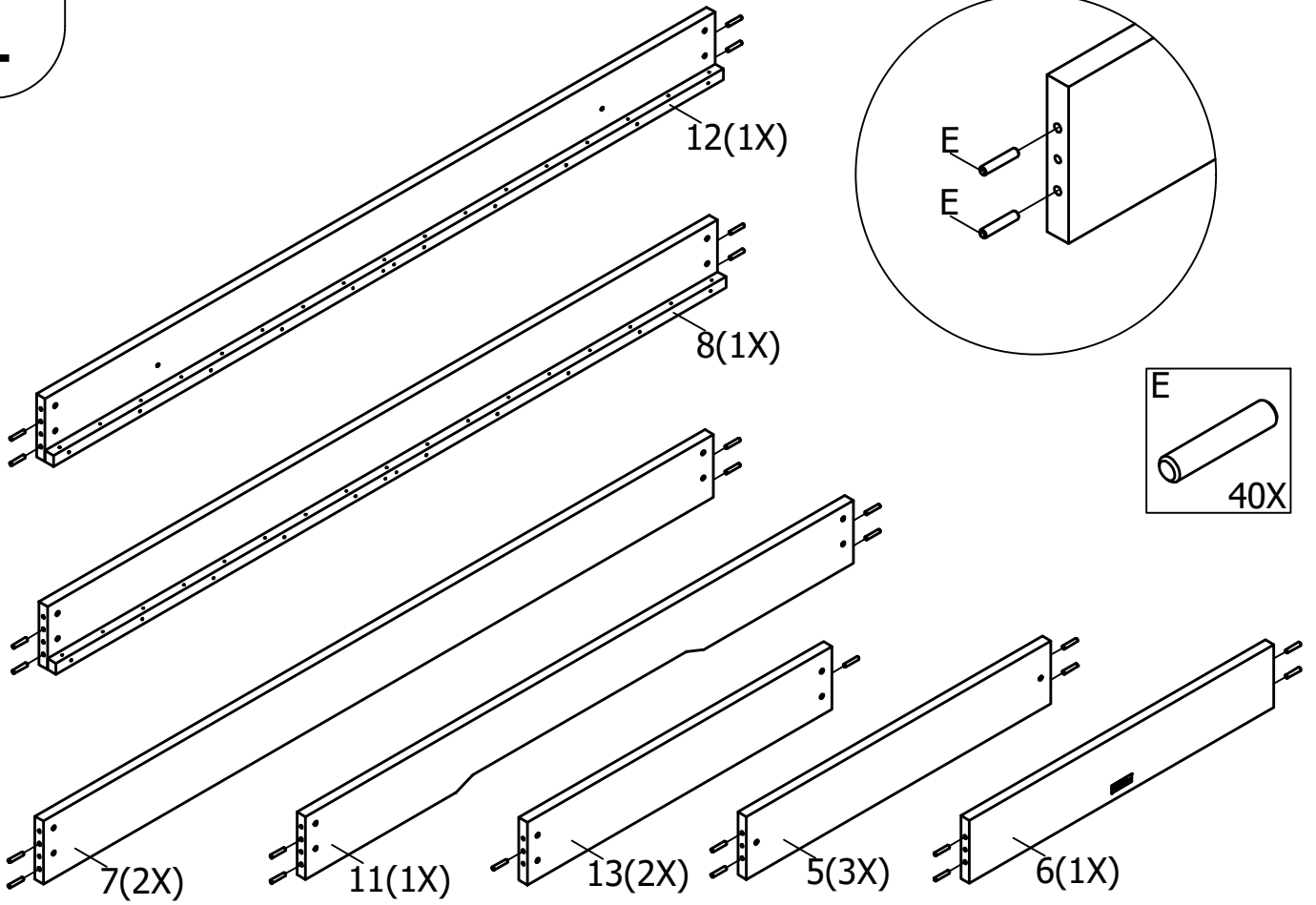




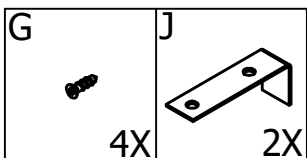
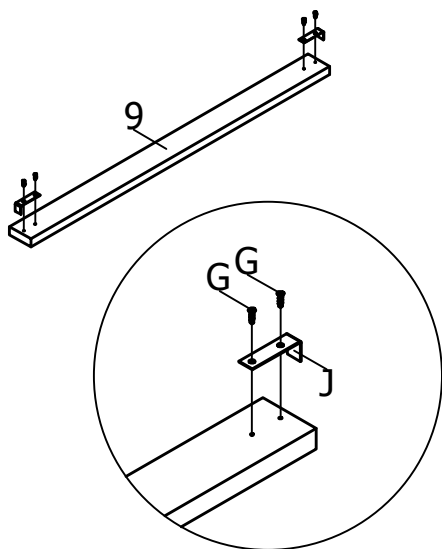




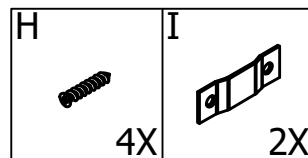
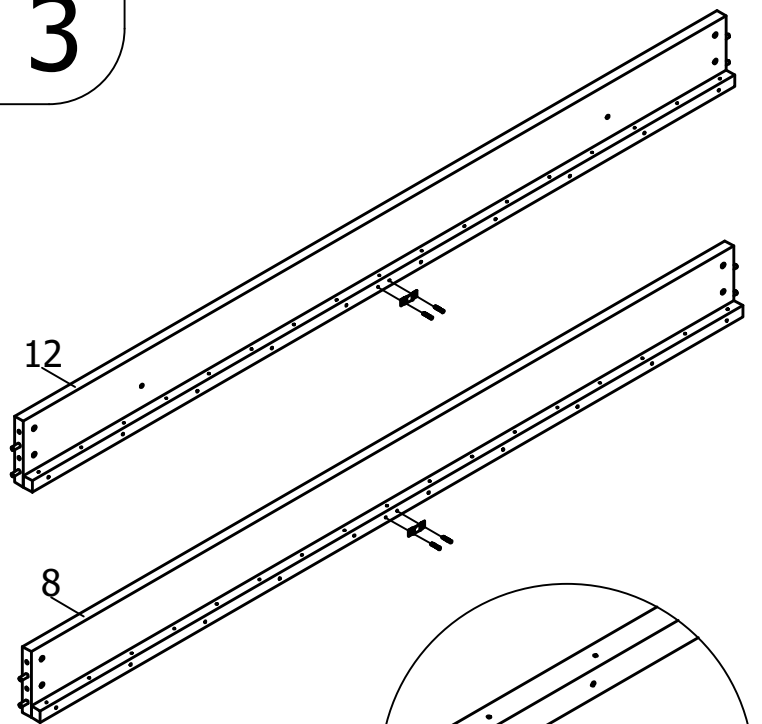
# 1



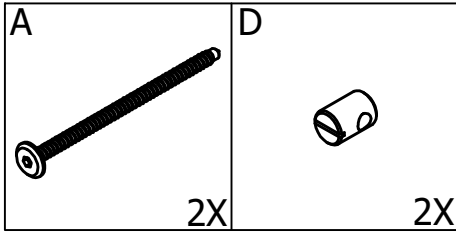
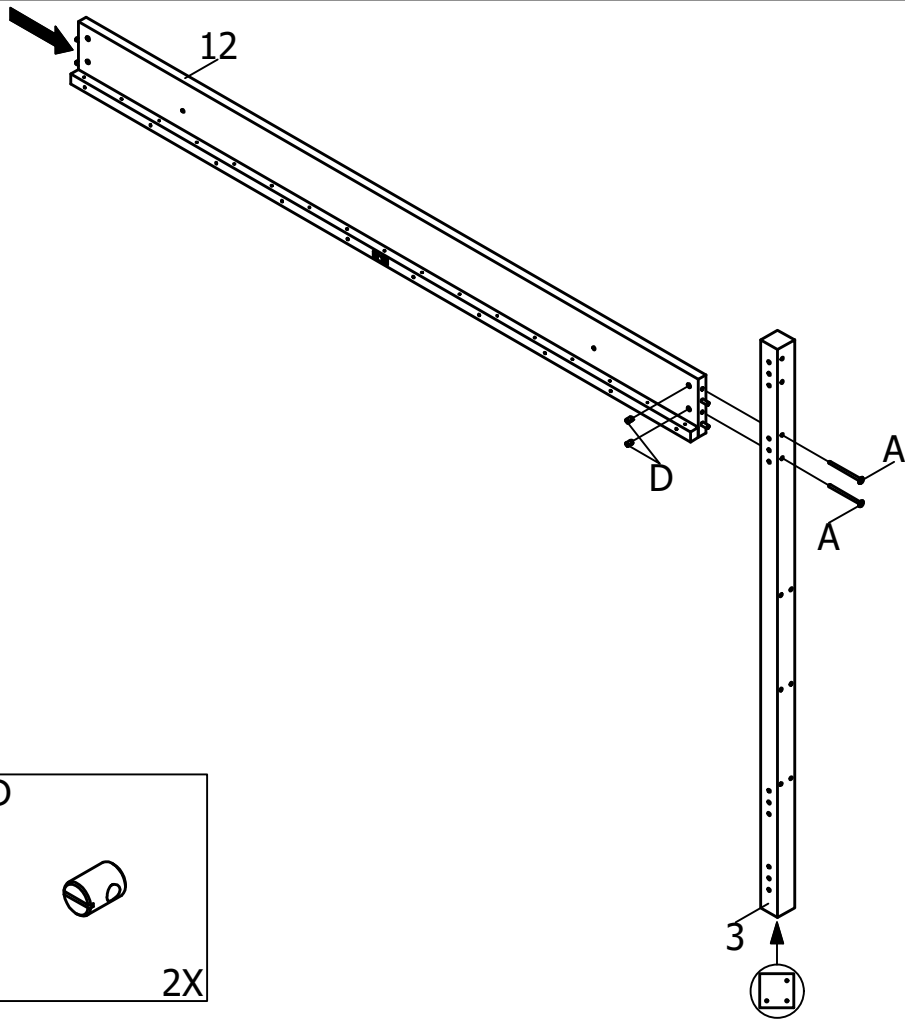
# 2



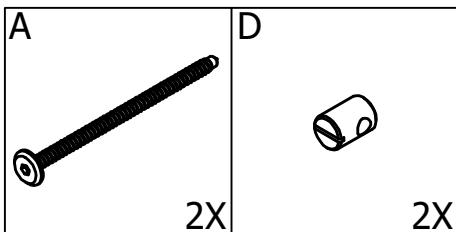
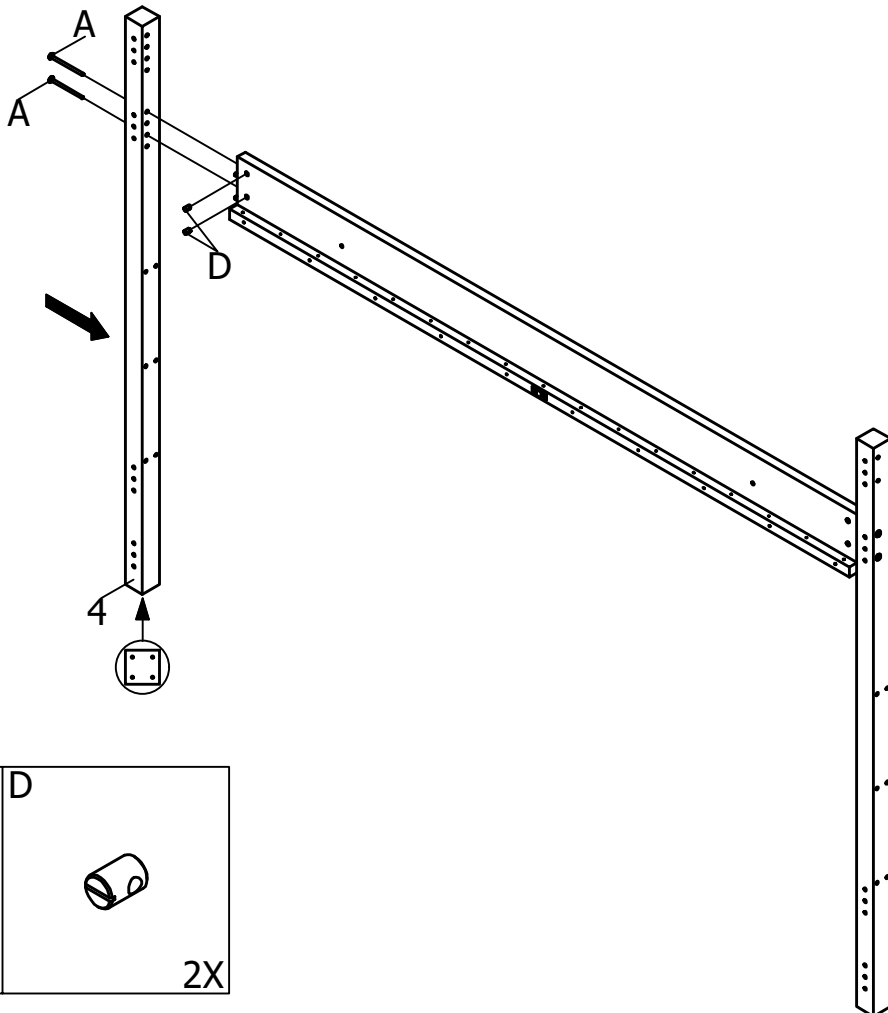
# 3



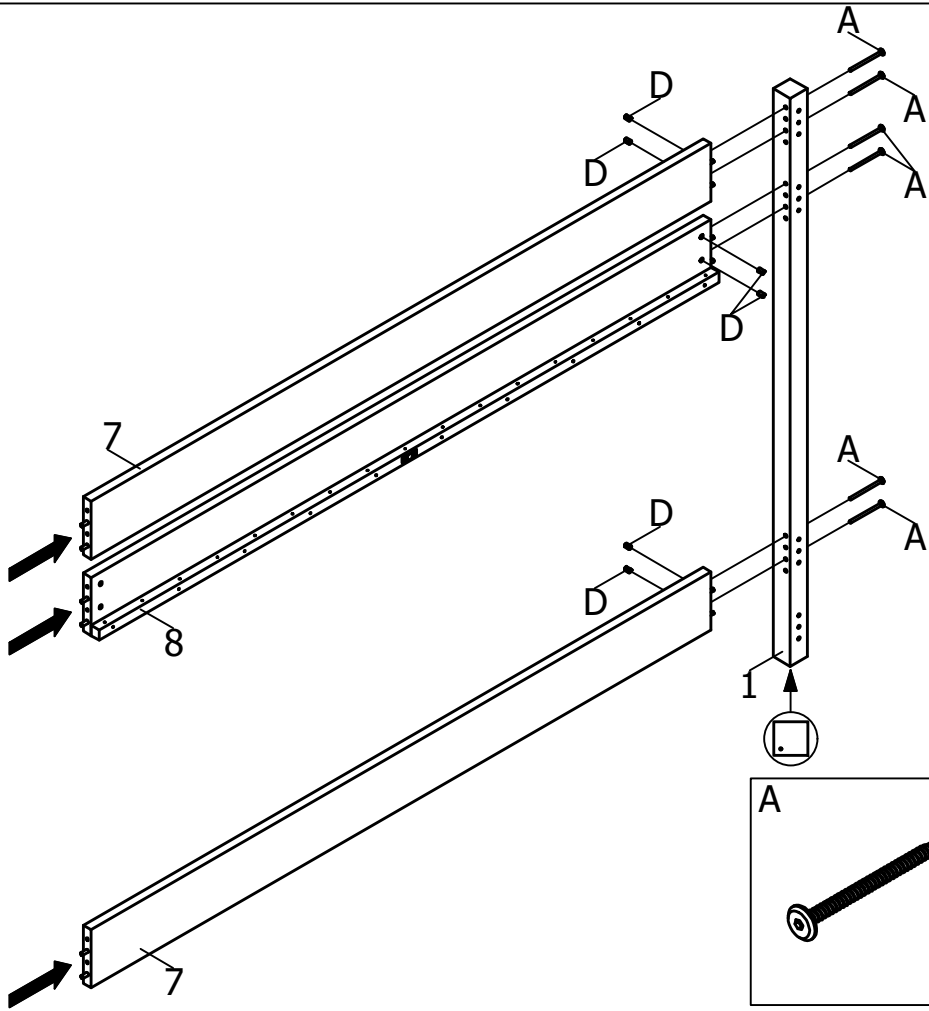
4



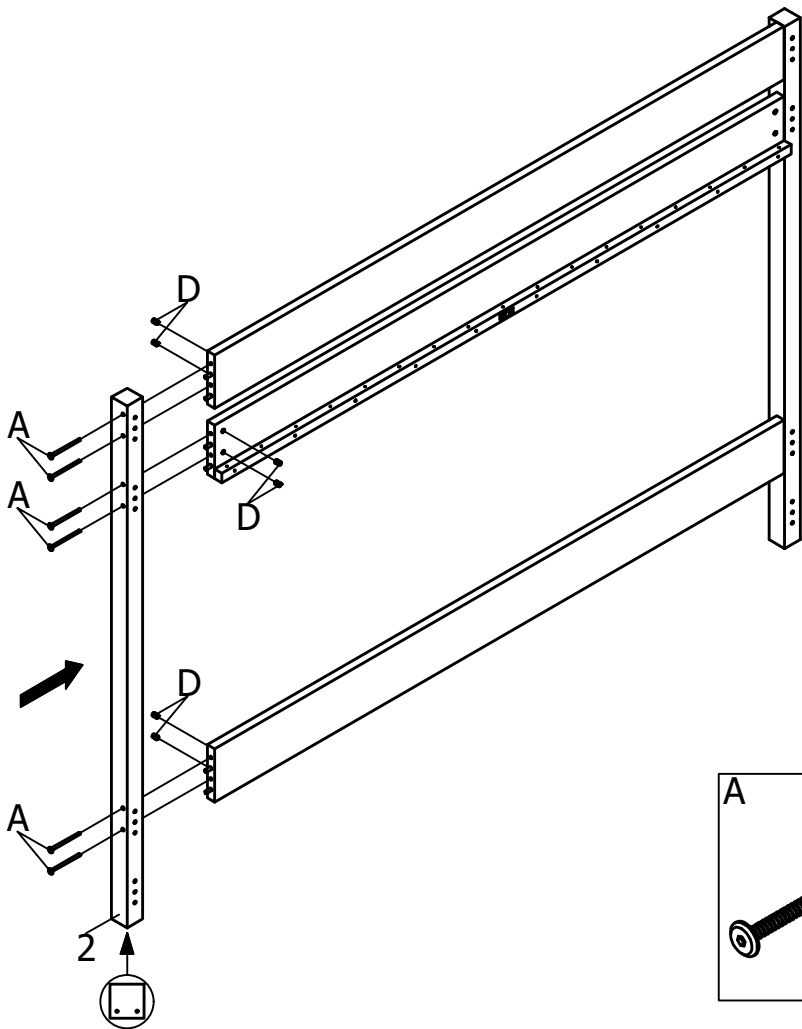
5



6

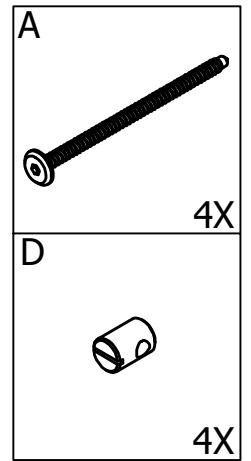
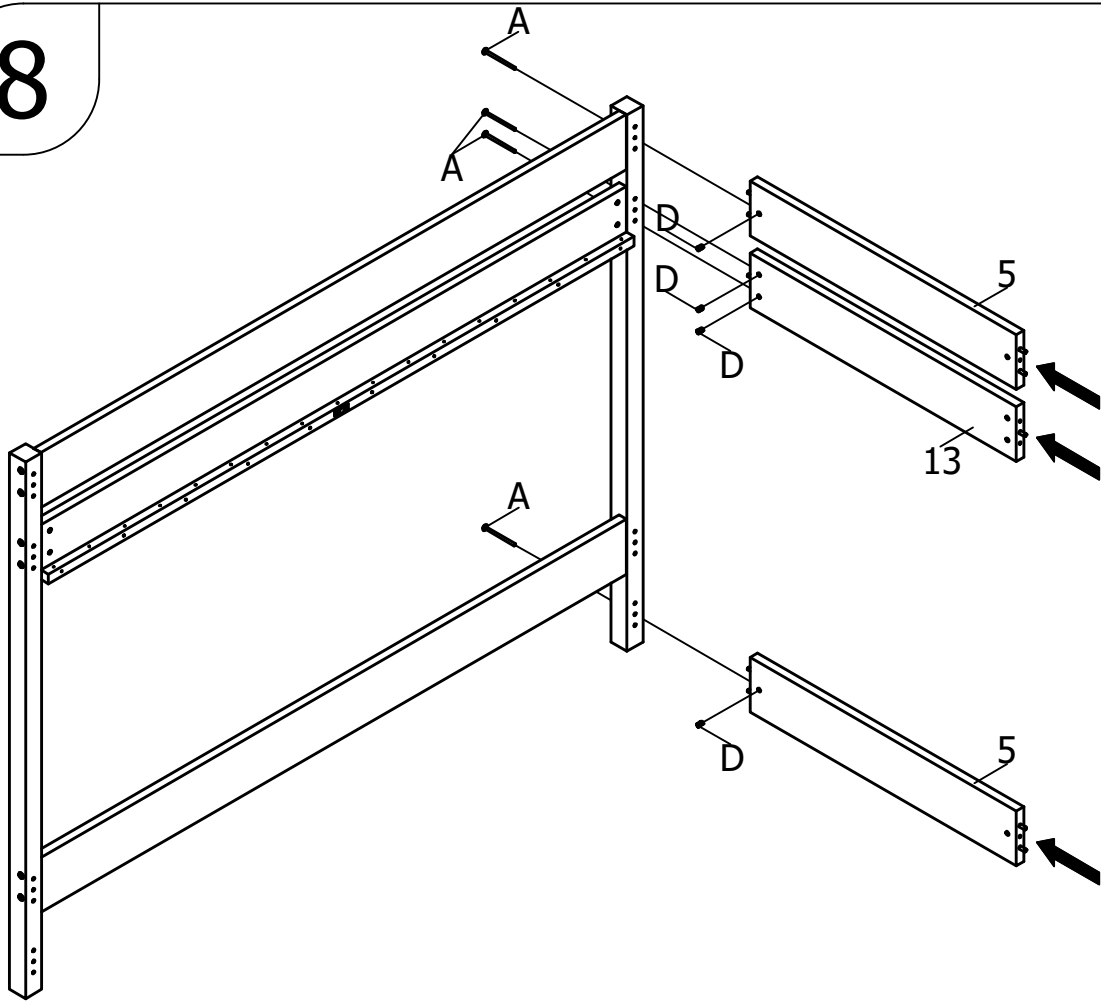


7

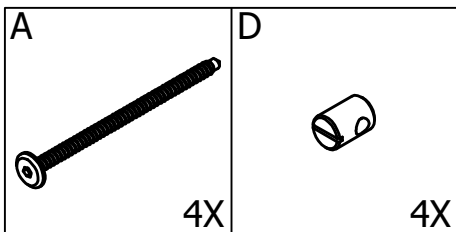
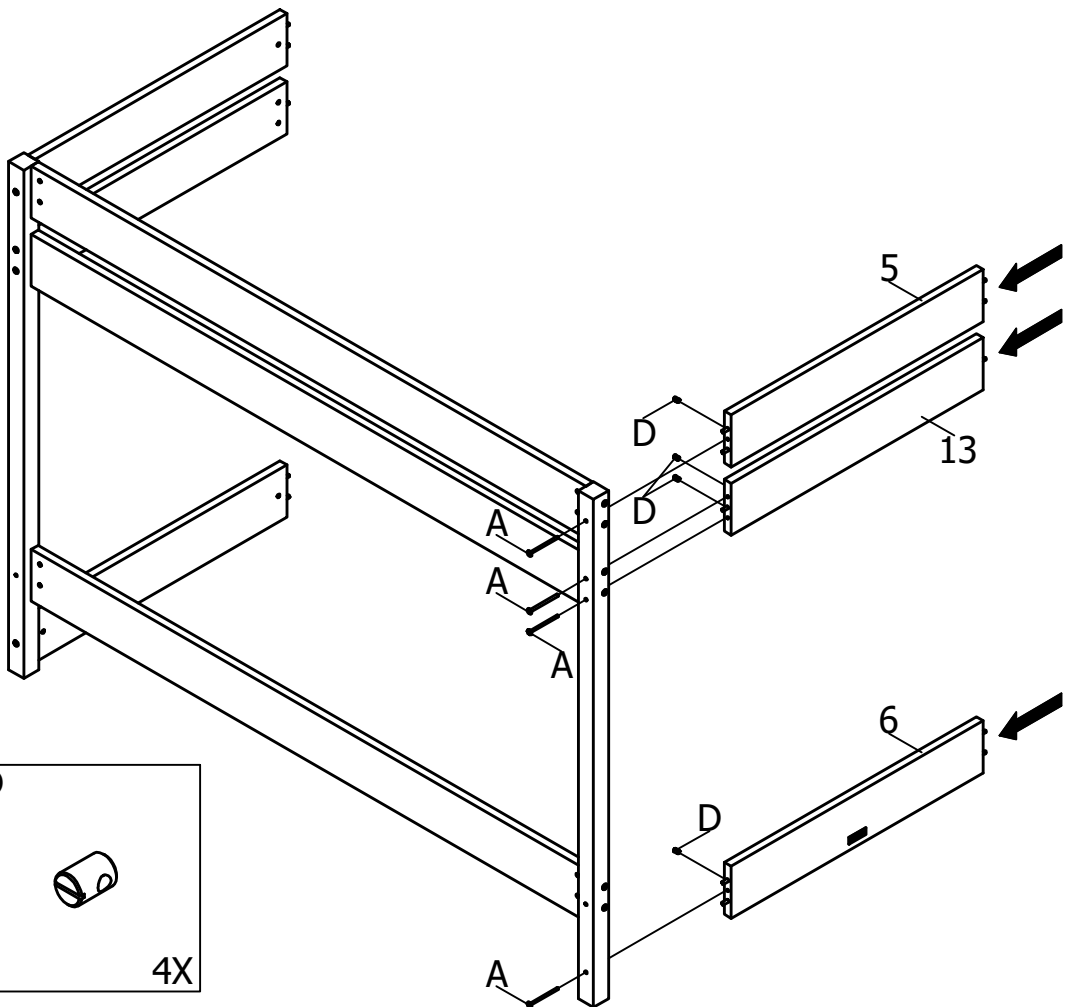




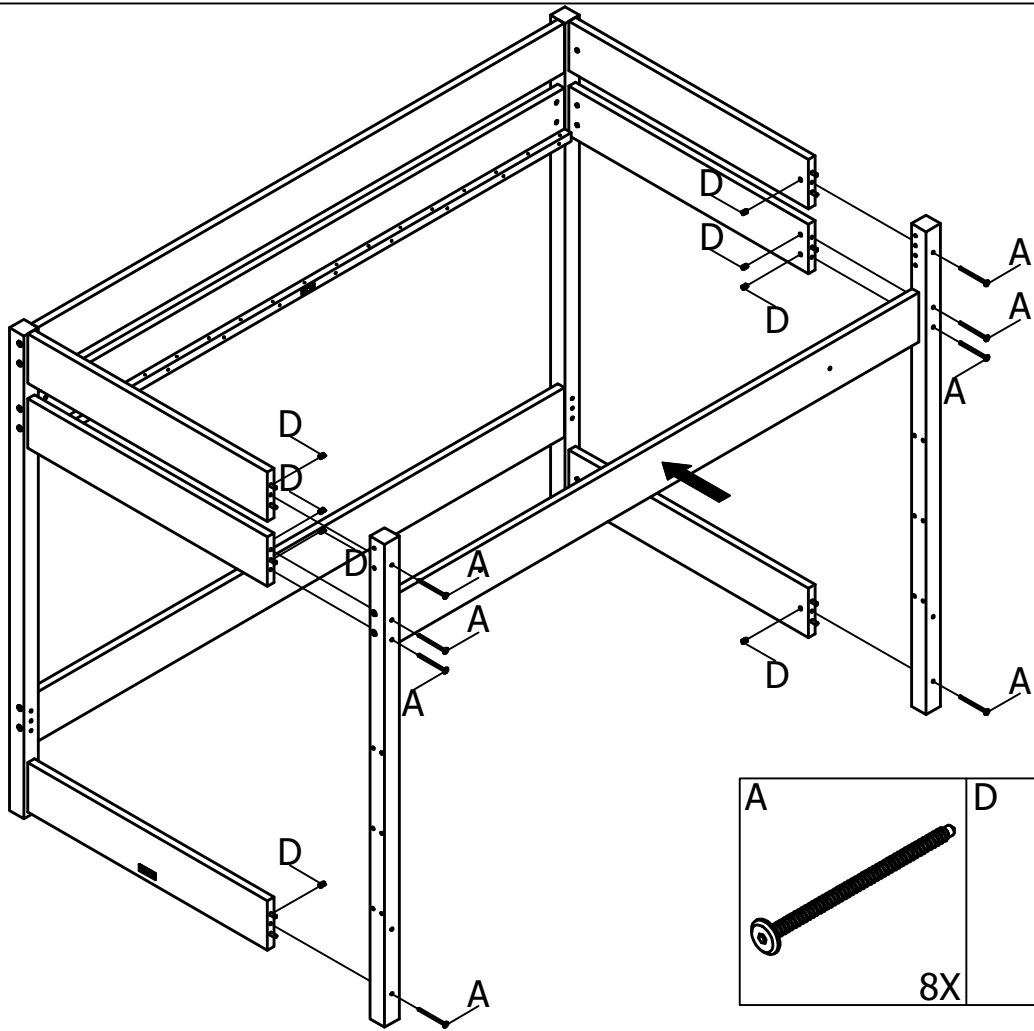
8



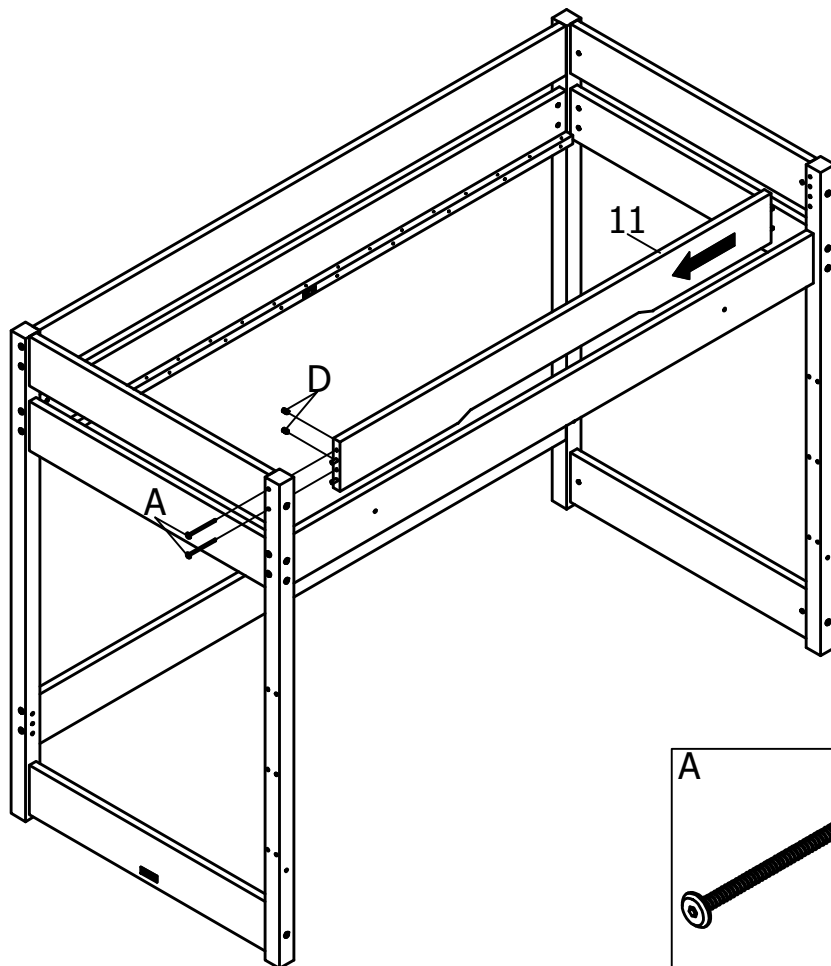
9



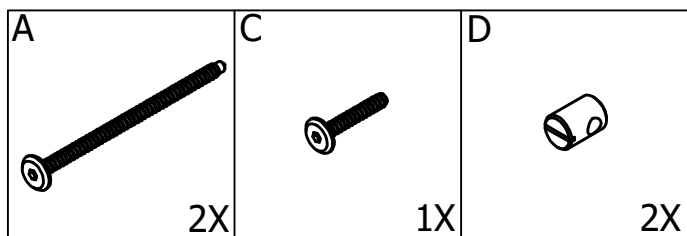
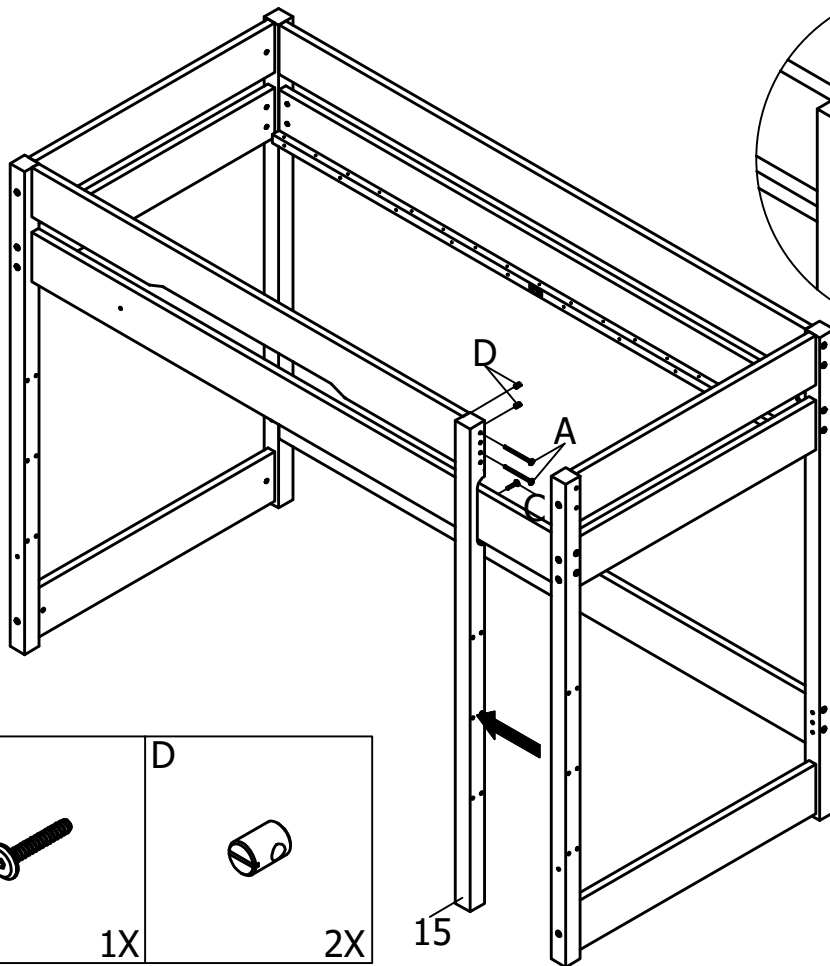
10



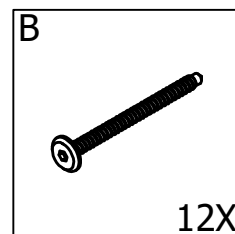
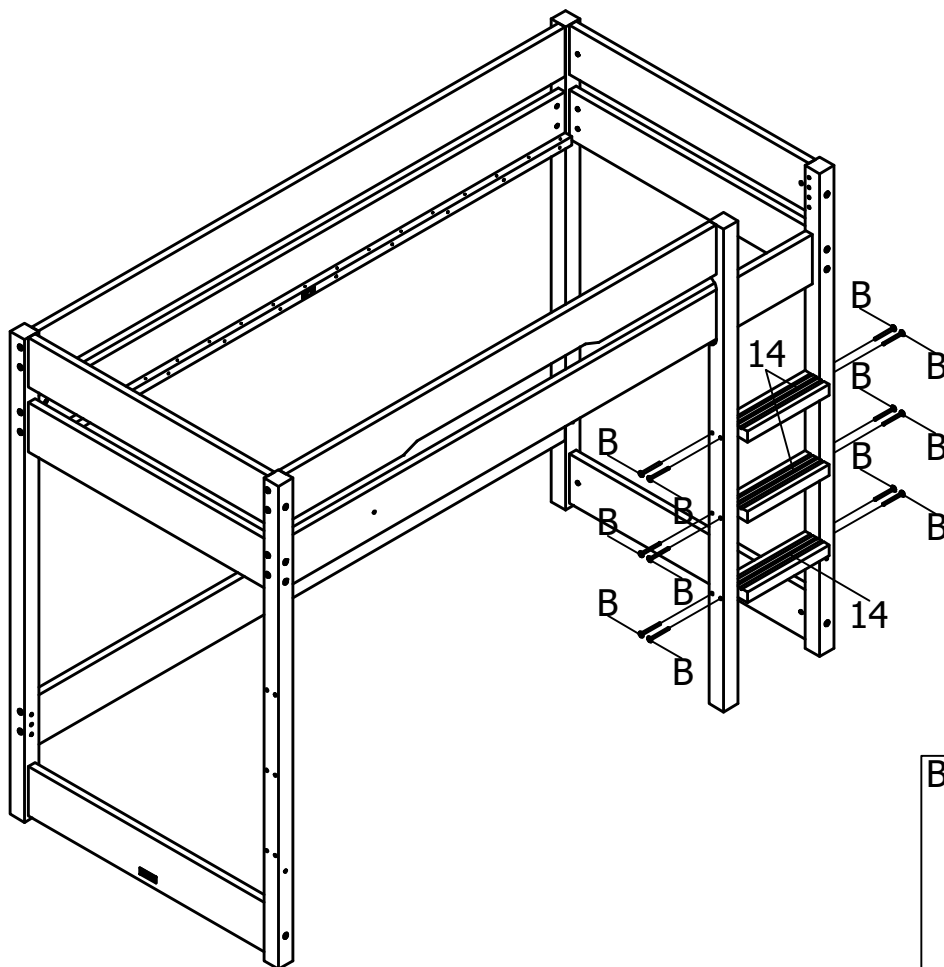
11



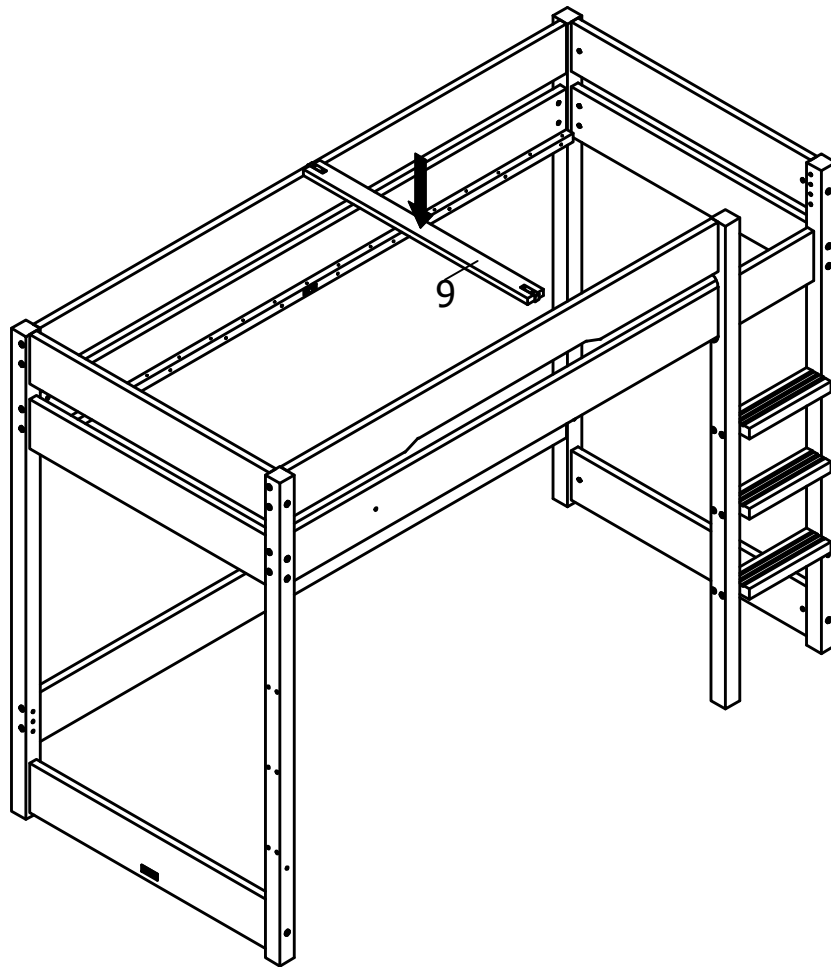
12



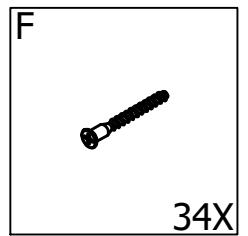
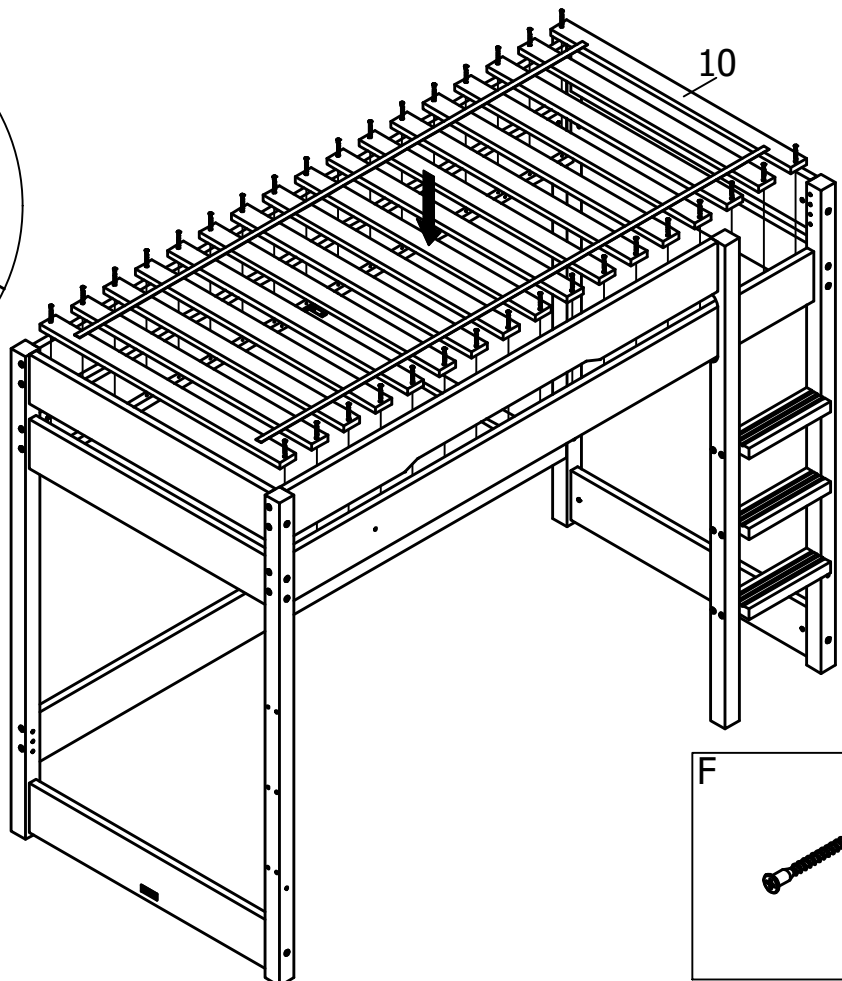
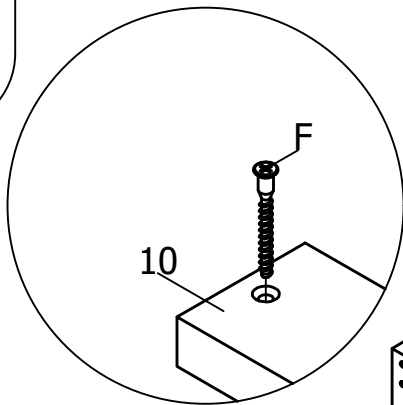
13



14



15



# LUCAS

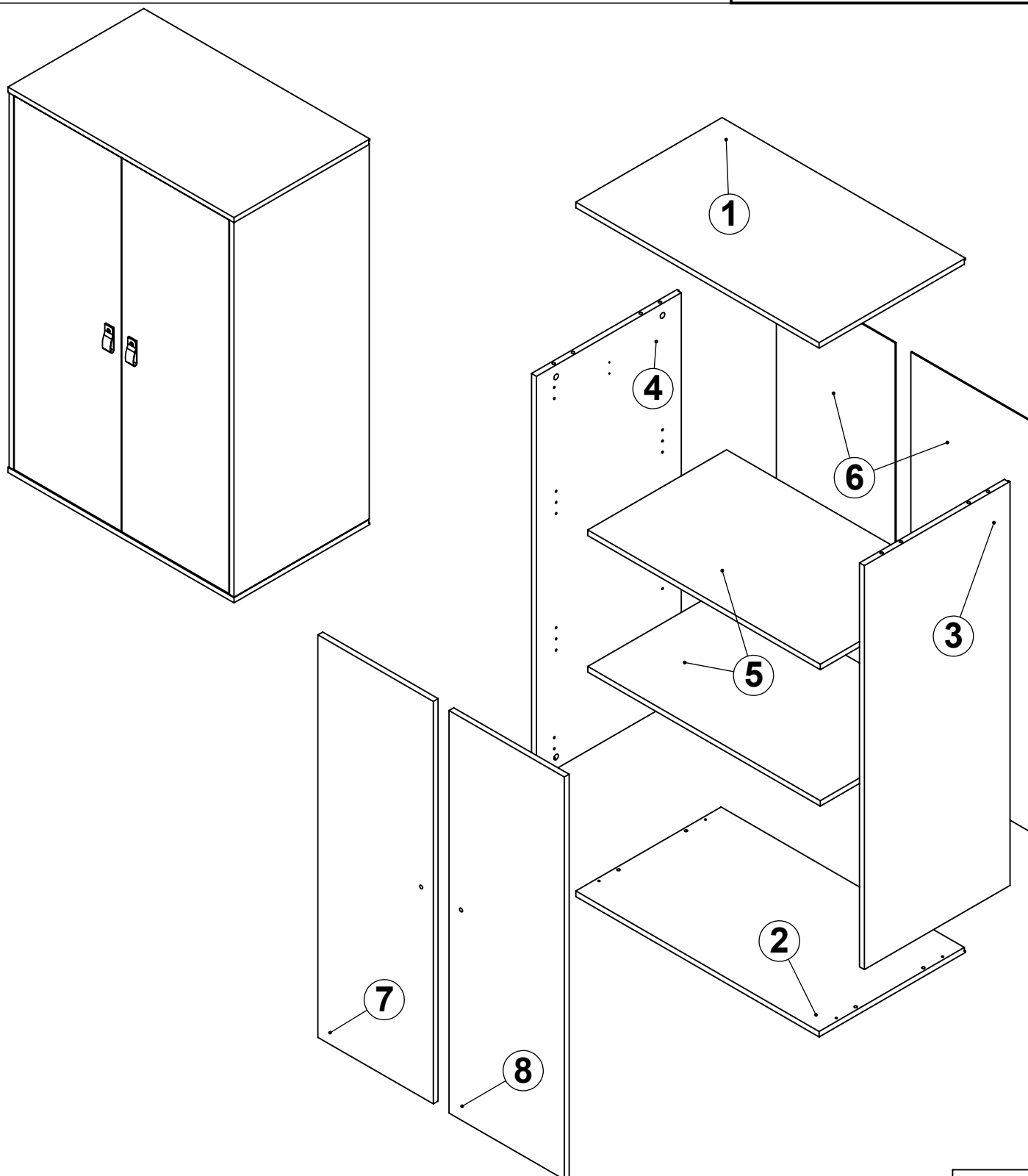
001 / 21/07/2023

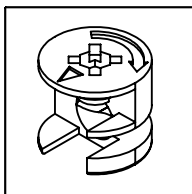
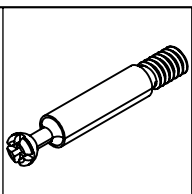
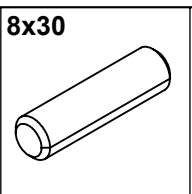
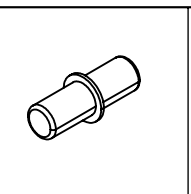
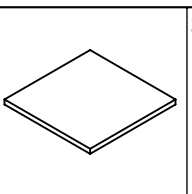
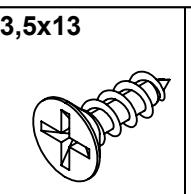
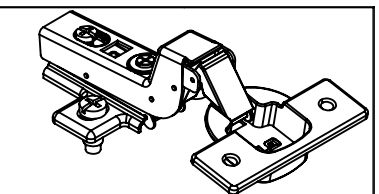
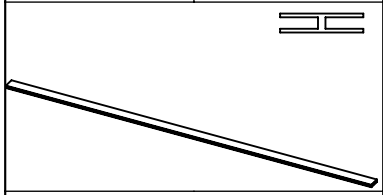
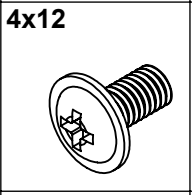
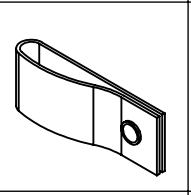
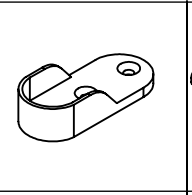
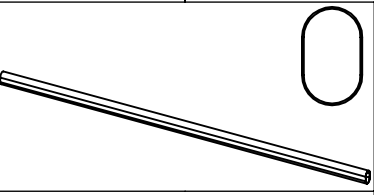
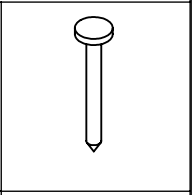
## CABINET 2D HS


### ART CODE: 441 23 201

# bopita®

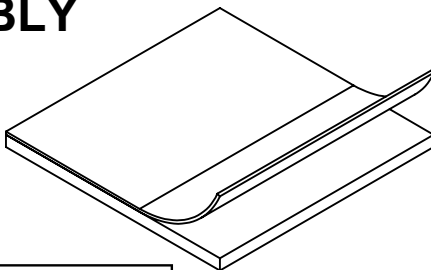
"BOPITA"  
LION INTERNATIONAL B.V.  
ENERGIEWEG 1  
6662 NS ELST GLD  
NEDERLAND  
[www.bopita.com](http://www.bopita.com)

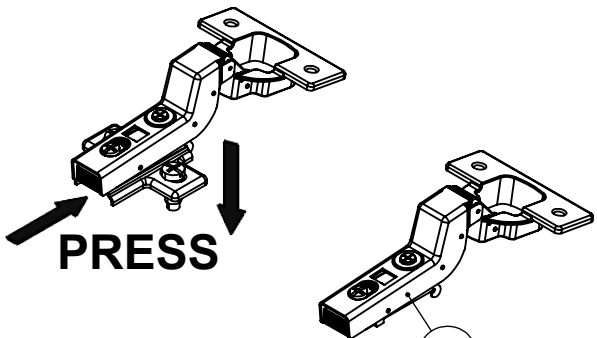


		8x30 			3,5x13 		
<b>A x 8</b>	<b>B x 8</b>	<b>C x 8</b>	<b>D x 8</b>	<b>E x 4</b>	<b>F x 12</b>	<b>G1/G2 x 2/2</b>	
		4x12 					
<b>H x 1</b>		<b>I x 2</b>	<b>J x 2</b>	<b>K x 2</b>	<b>L x 3</b>		<b>M x 28</b>

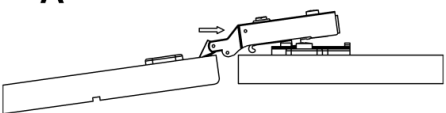
  
**IMBUS**

## BEFORE ASSEMBLY

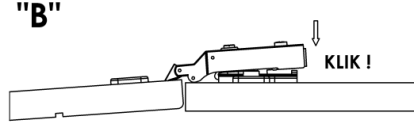


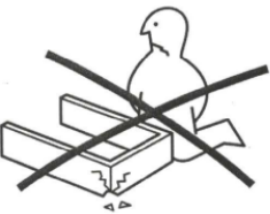

  
**PRESS**

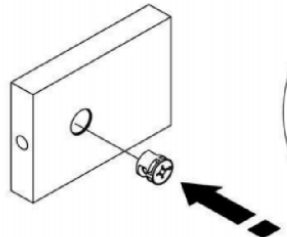
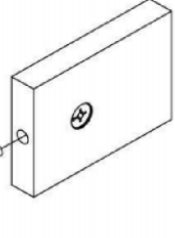
**"A"**

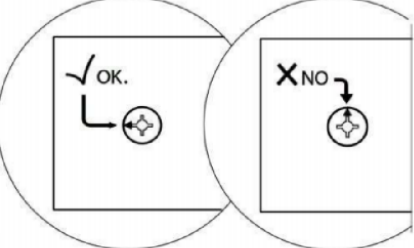
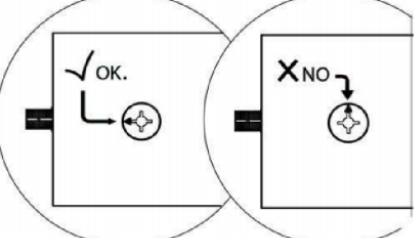


**"B"**

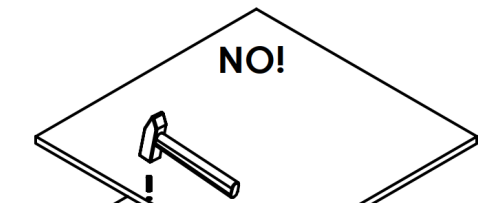


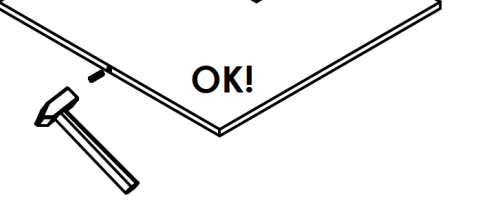



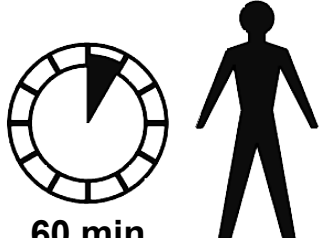



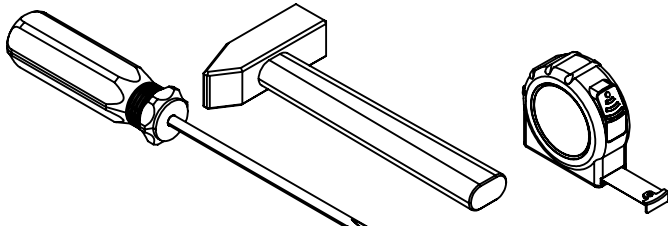
**NO!**



**OK!**

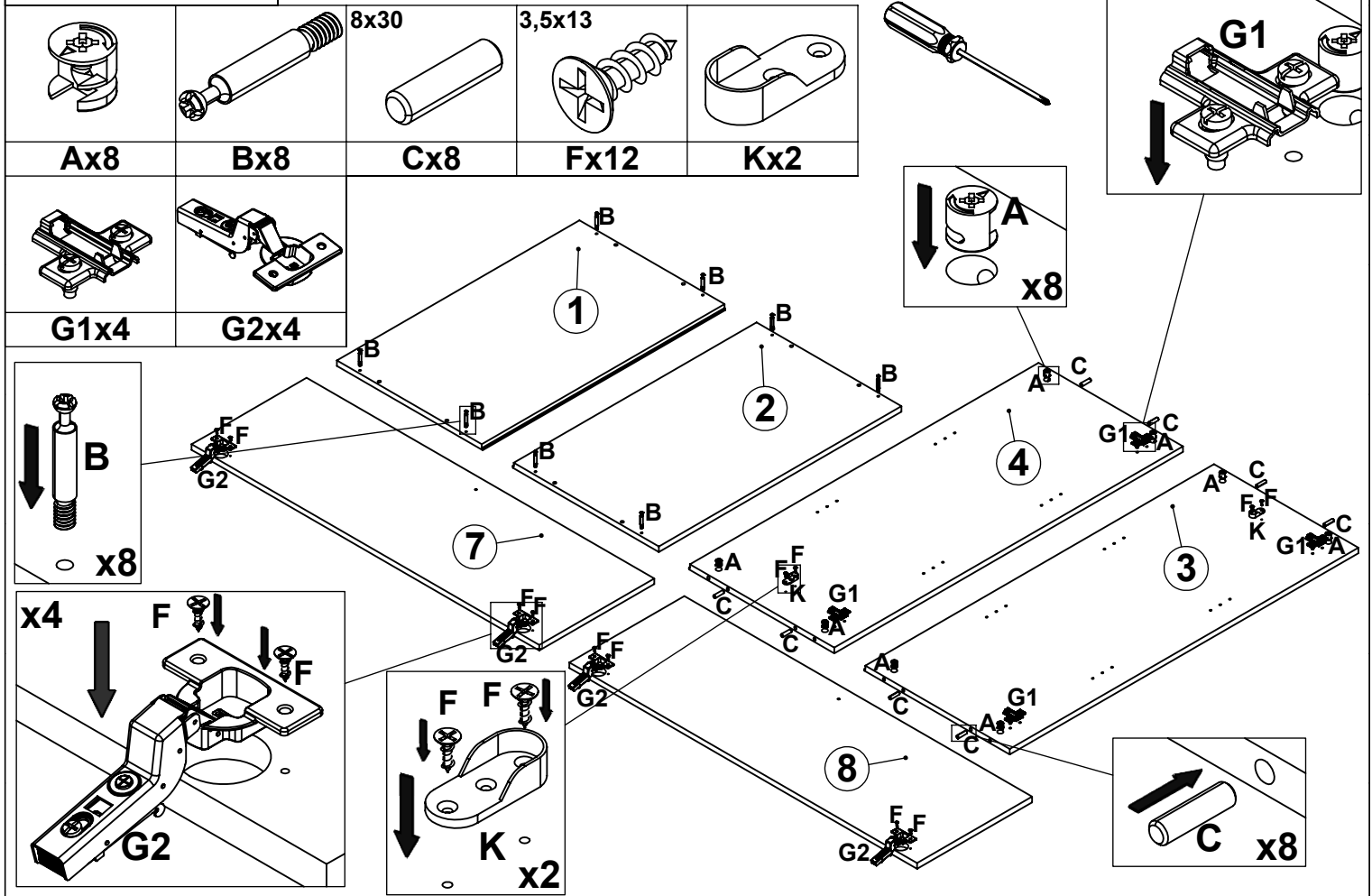


  
**60 min.**

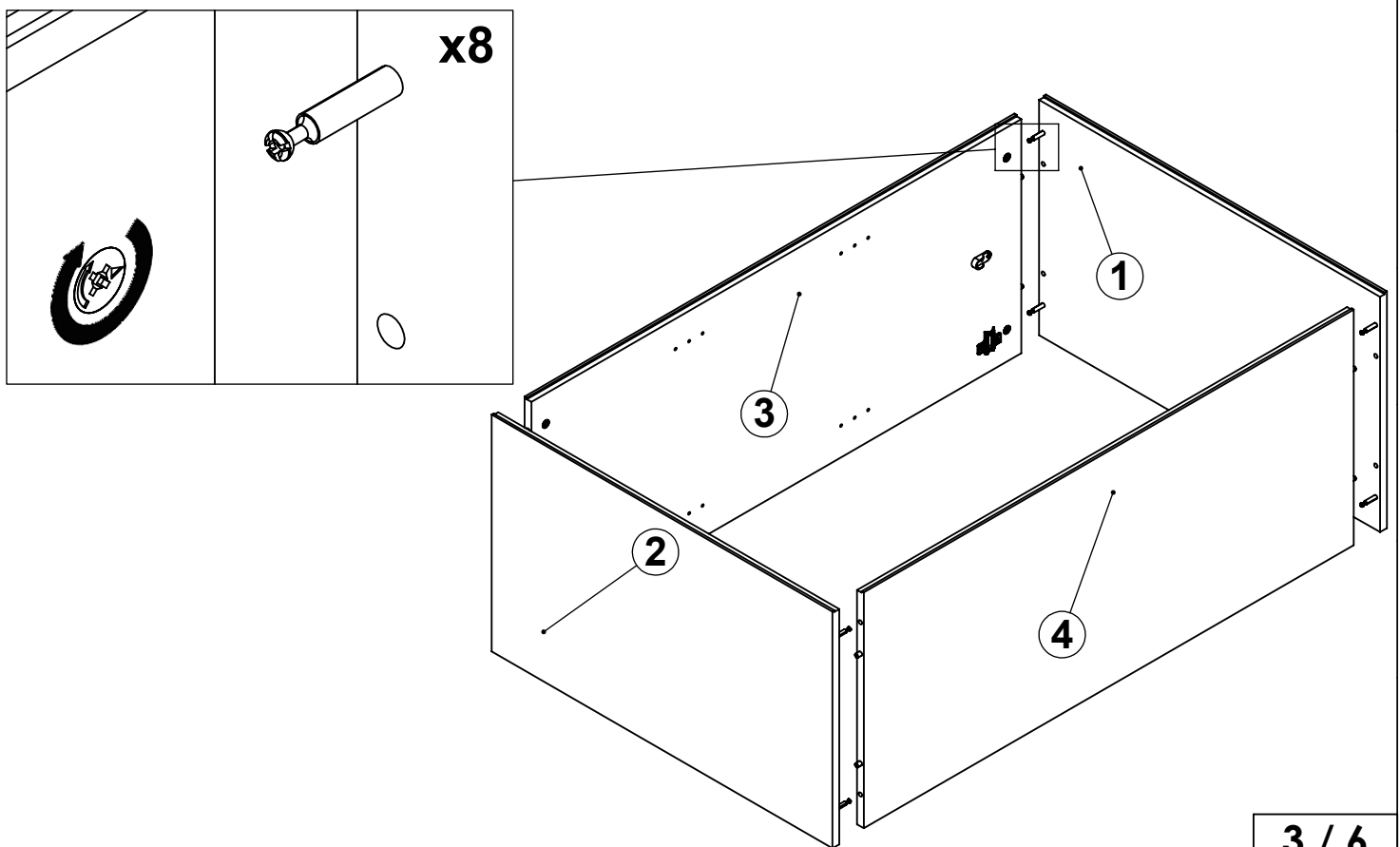


**2 / 6**

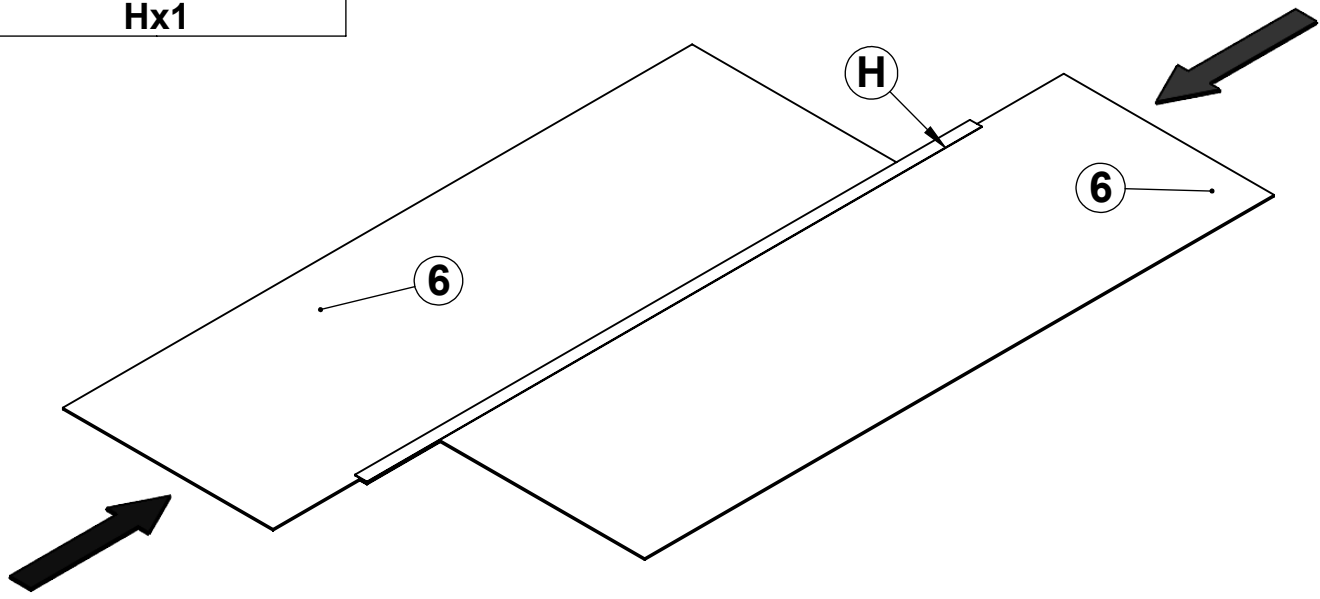
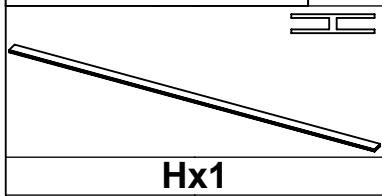
# STEP - 1



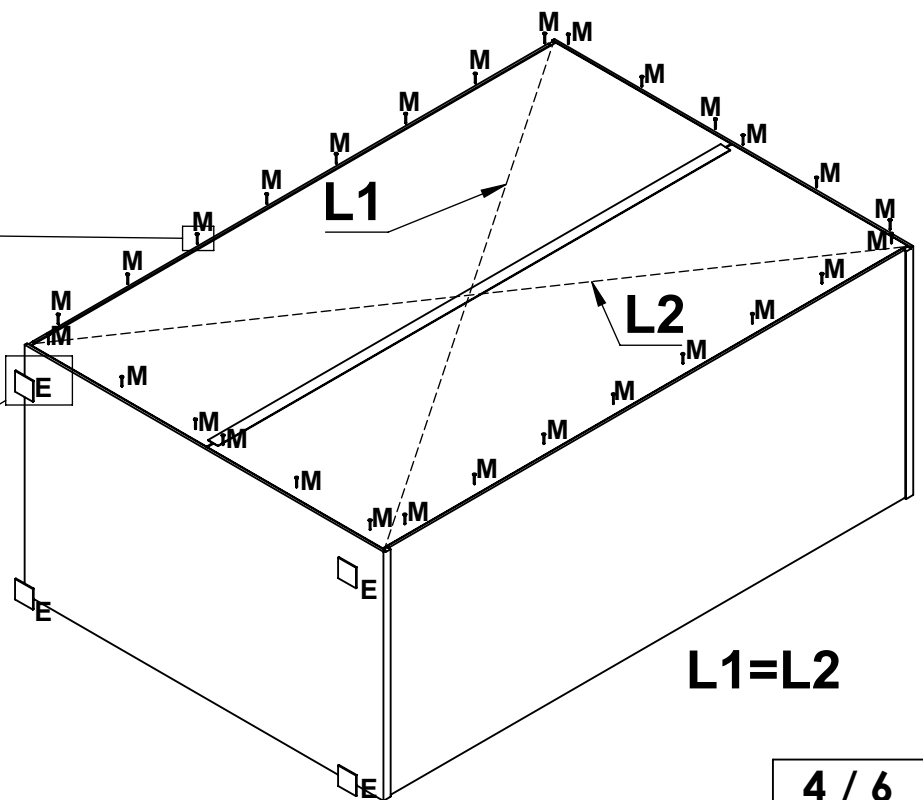
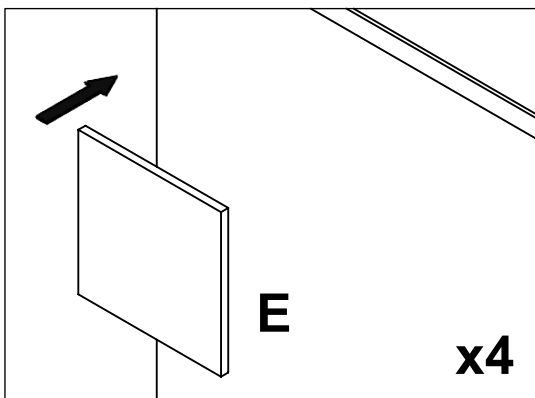
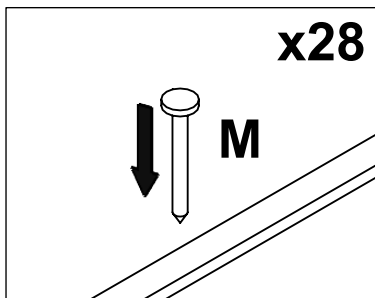
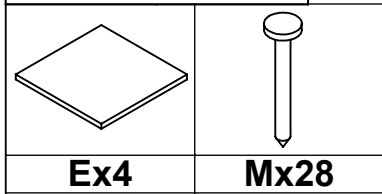
# STEP - 2



### STEP - 3

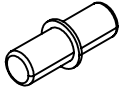


### STEP - 4





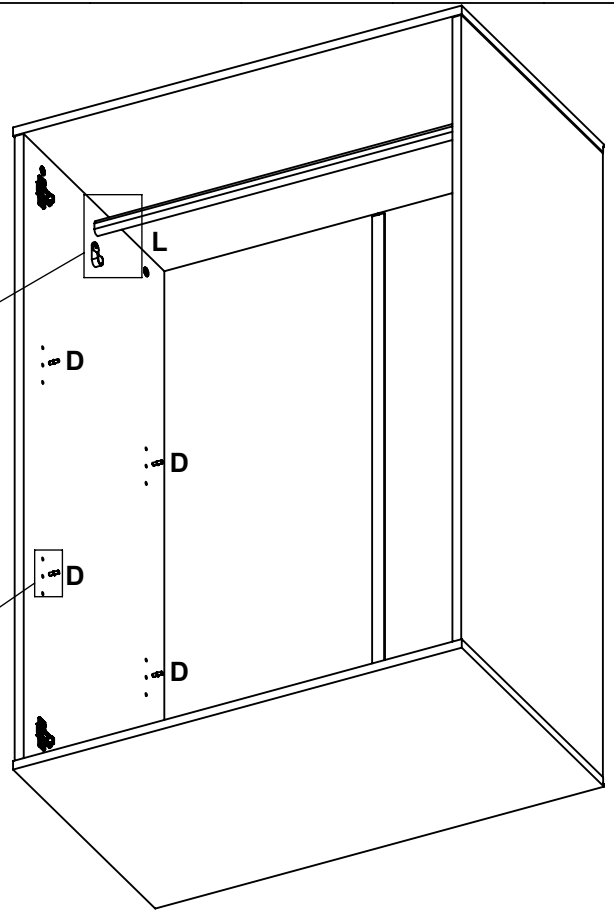
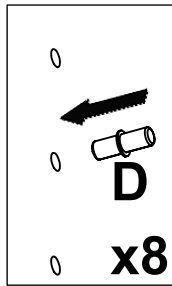
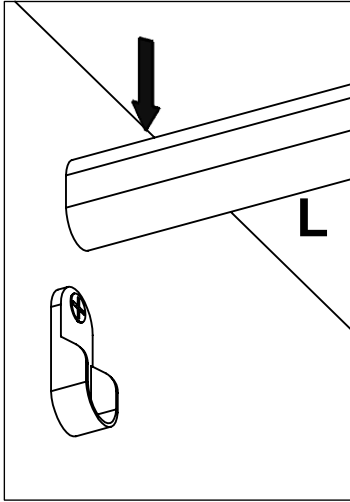
### STEP - 5



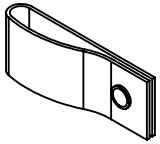
Dx8



Lx1

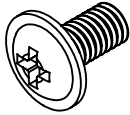


### STEP - 6

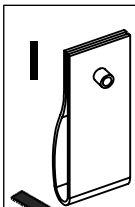
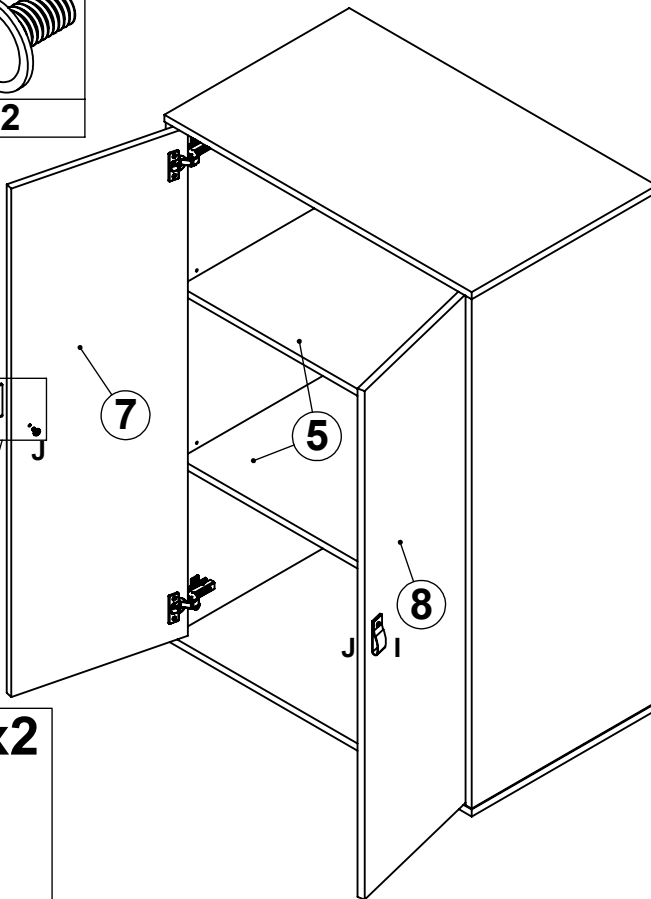


Ix2

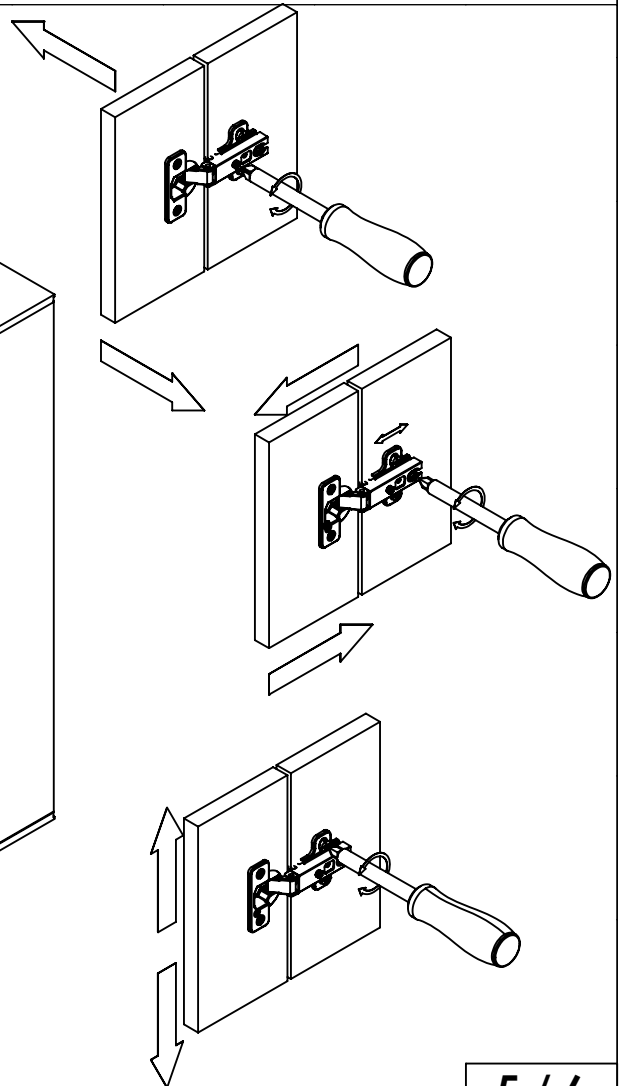
4x12



Jx2



x2



**QC-CODE**

**(UK) for service requests**

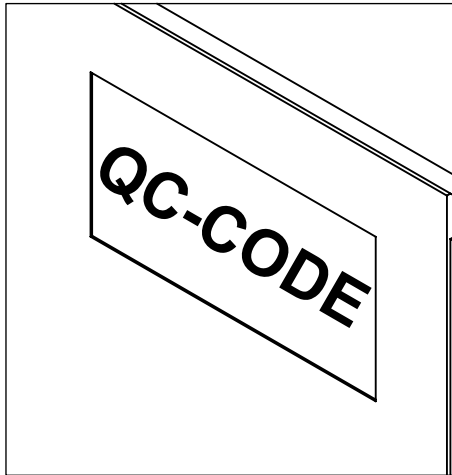
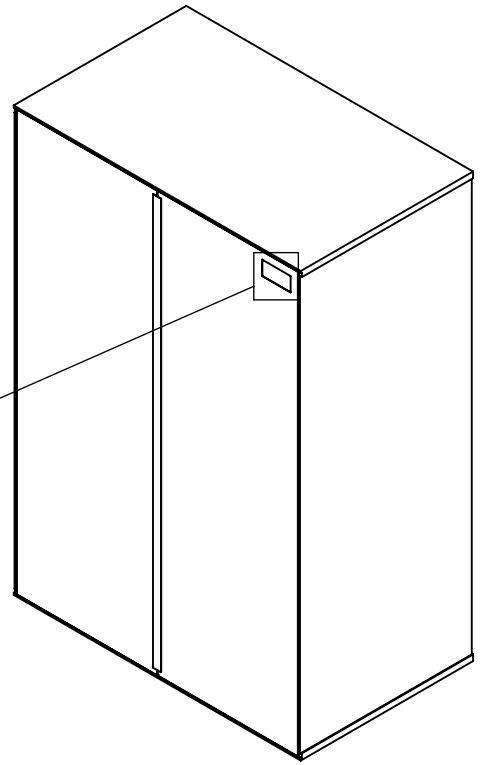
**(NL) voor service vragen**

**(FR) pour les demandes de service**

**(DE) für Service Anfragen**

**(ES) para consultas de servicio**

**(IT) per richieste di assistenza**



# LUCAS

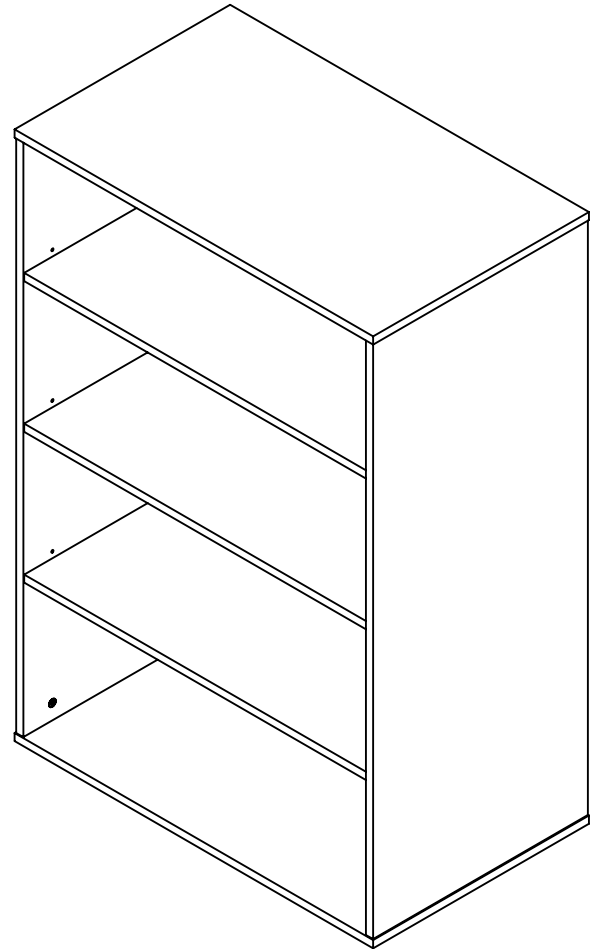
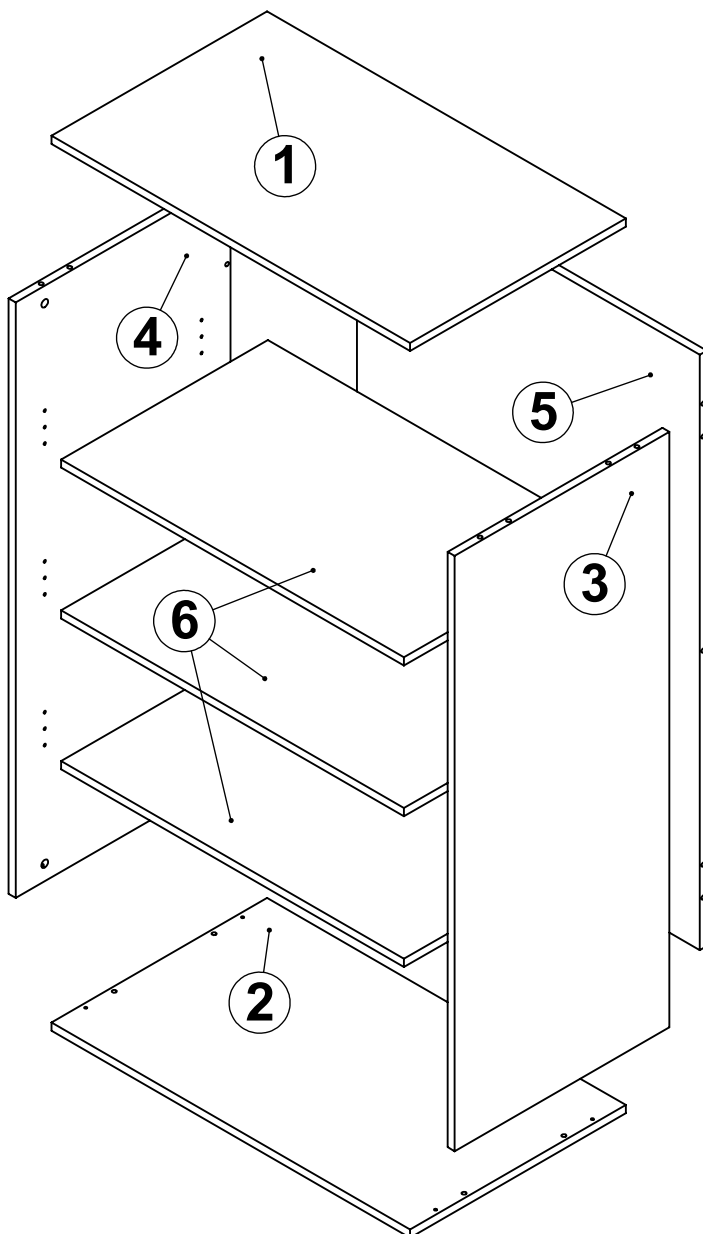
001 / 12/07/2023


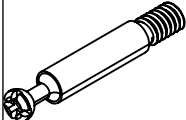
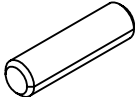
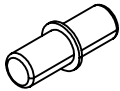
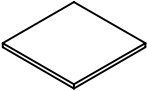

## BOOKCASE LARGE HS

### ART CODE: 446 23 201

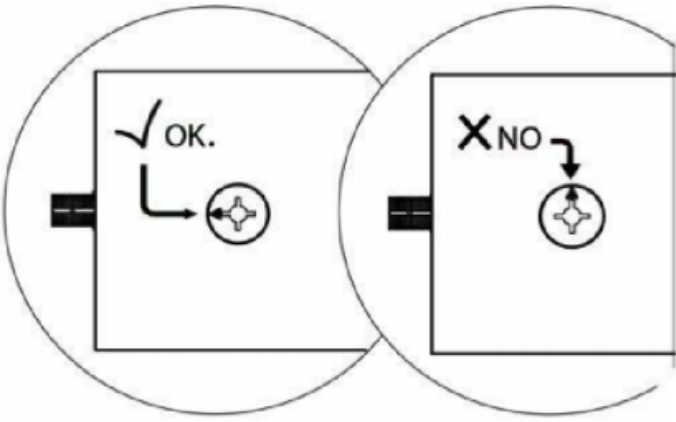
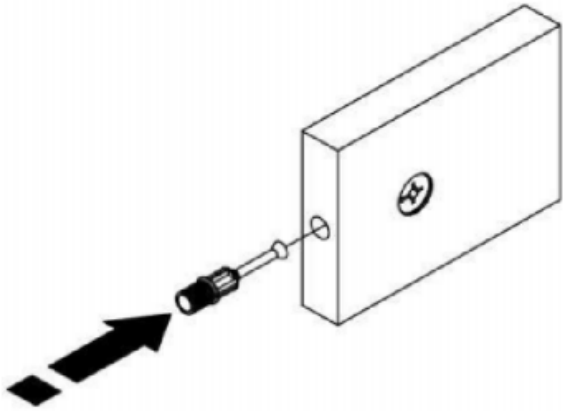
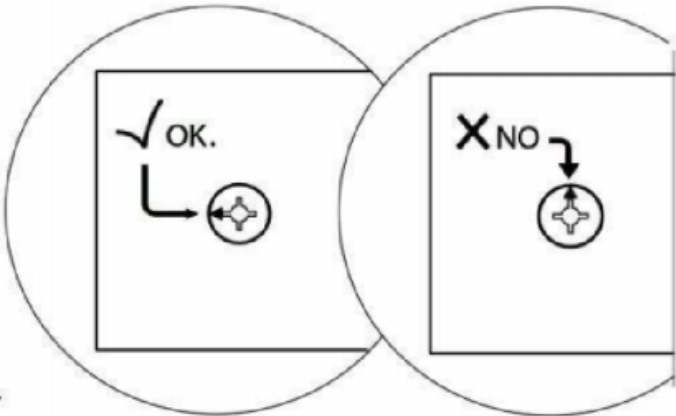
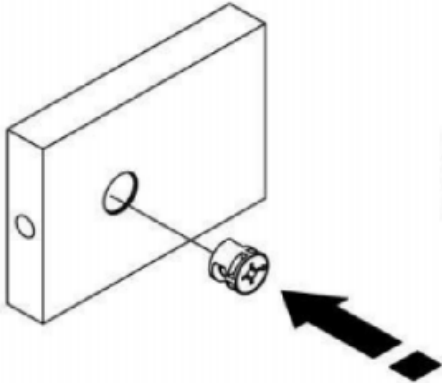
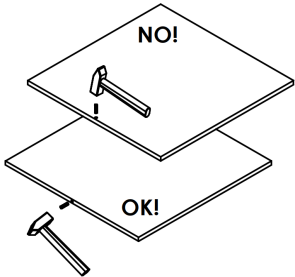
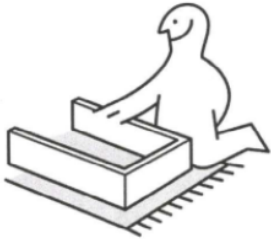
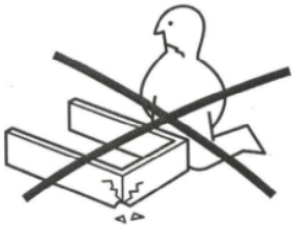
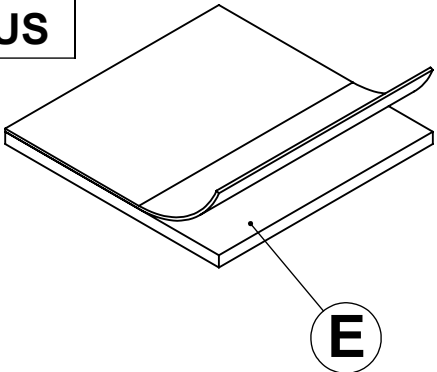
# bopita®

"BOPITA"  
LION INTERNATIONAL B.V.  
ENERGIEWEG 1  
6662 NS ELST GLD  
NEDERLAND  
[www.bopita.com](http://www.bopita.com)

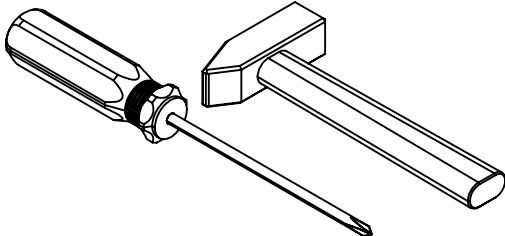


		 8x30			
<b>A x 14</b>	<b>B x 14</b>	<b>C x 12</b>	<b>D x 12</b>	<b>E x 4</b>	<b>IMBUS</b>

**BEFORE ASSEMBLY**



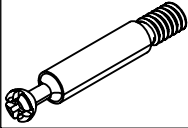
45 min.



# STEP - 1

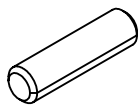


Ax14

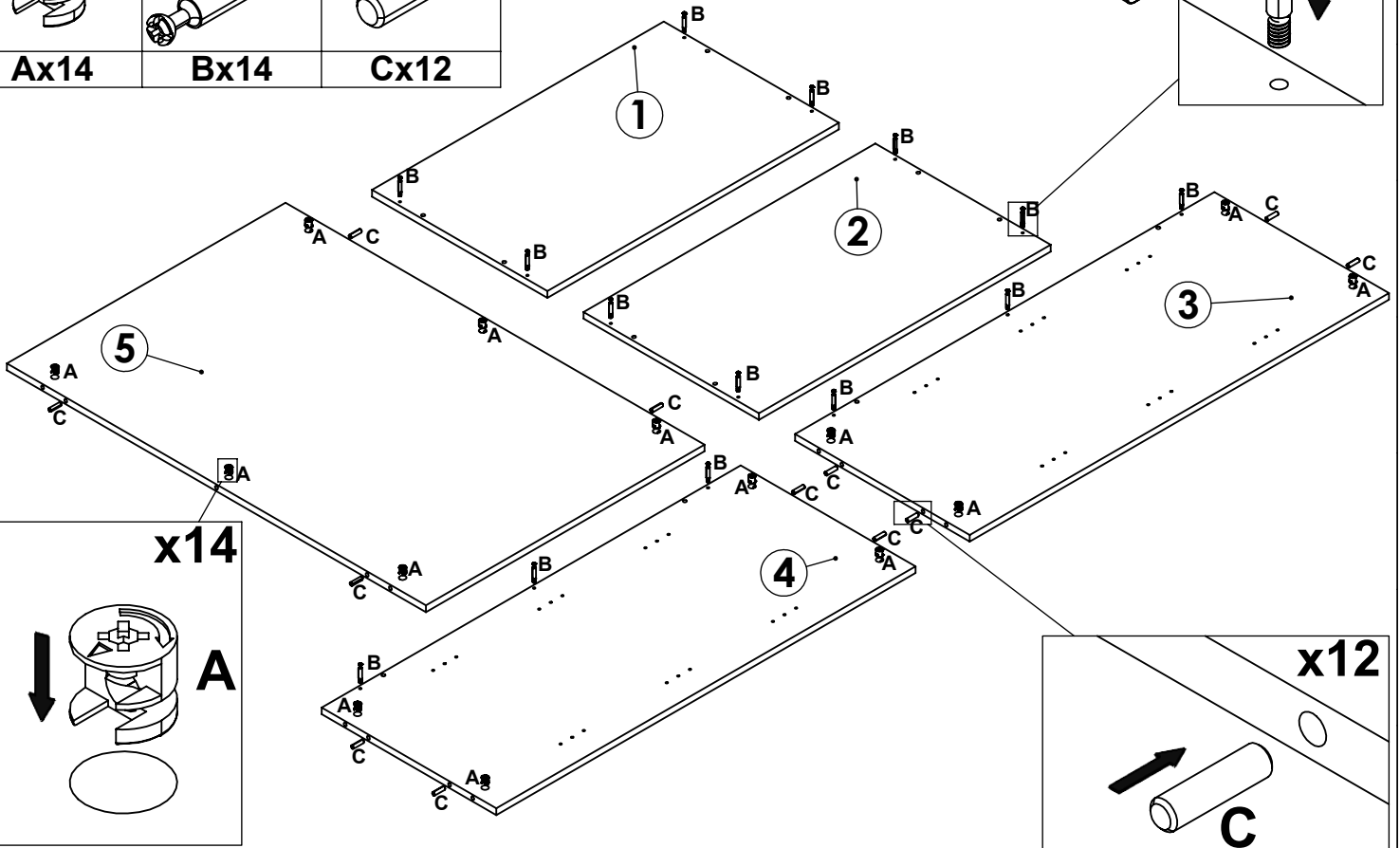
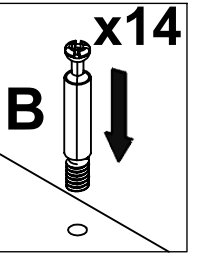
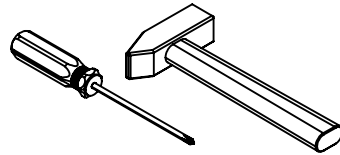


Bx14

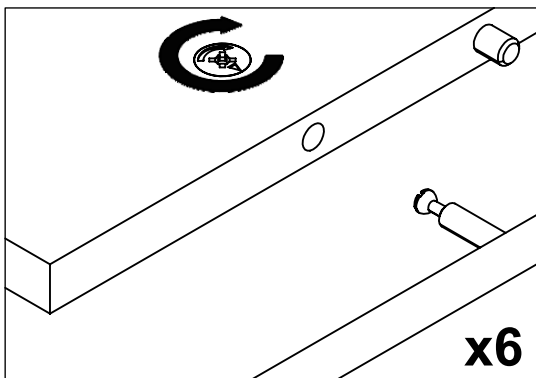
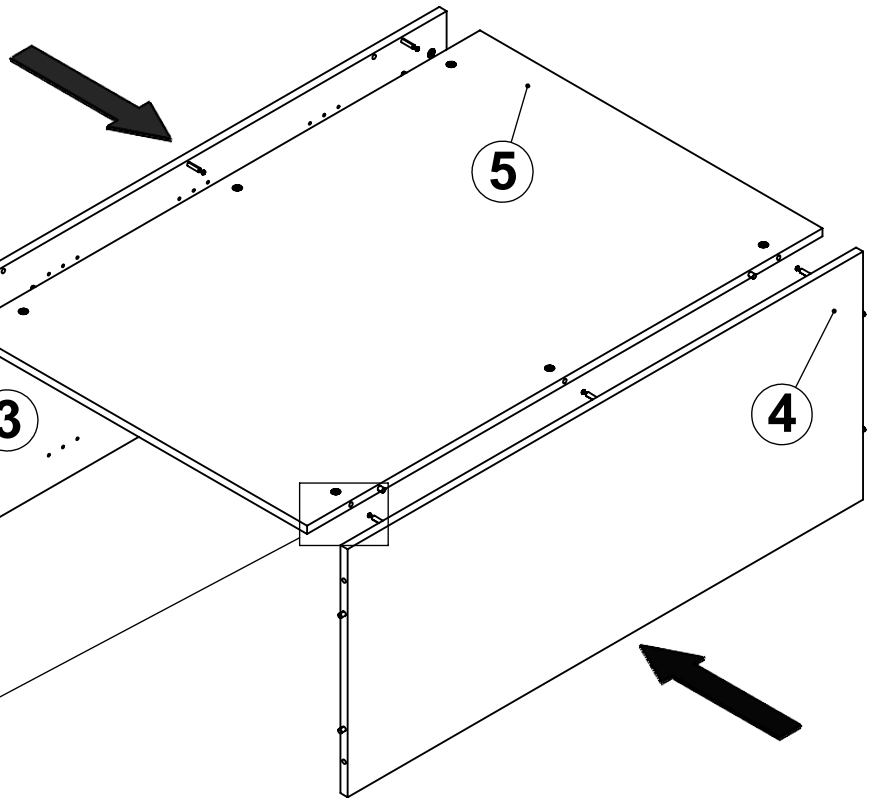
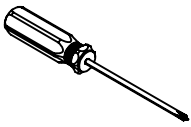
8x30



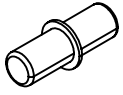
Cx12



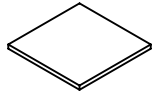
# STEP - 2



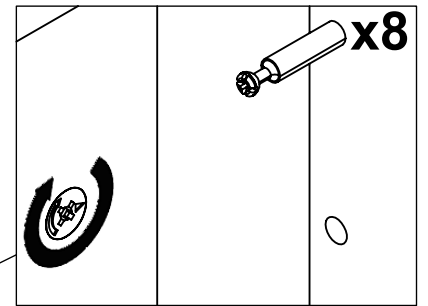
### STEP - 3



Dx12

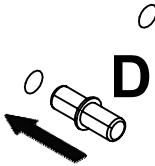


Ex4

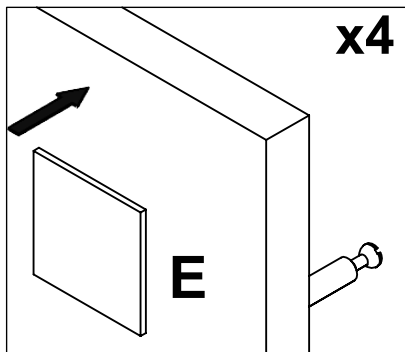


x8

x12

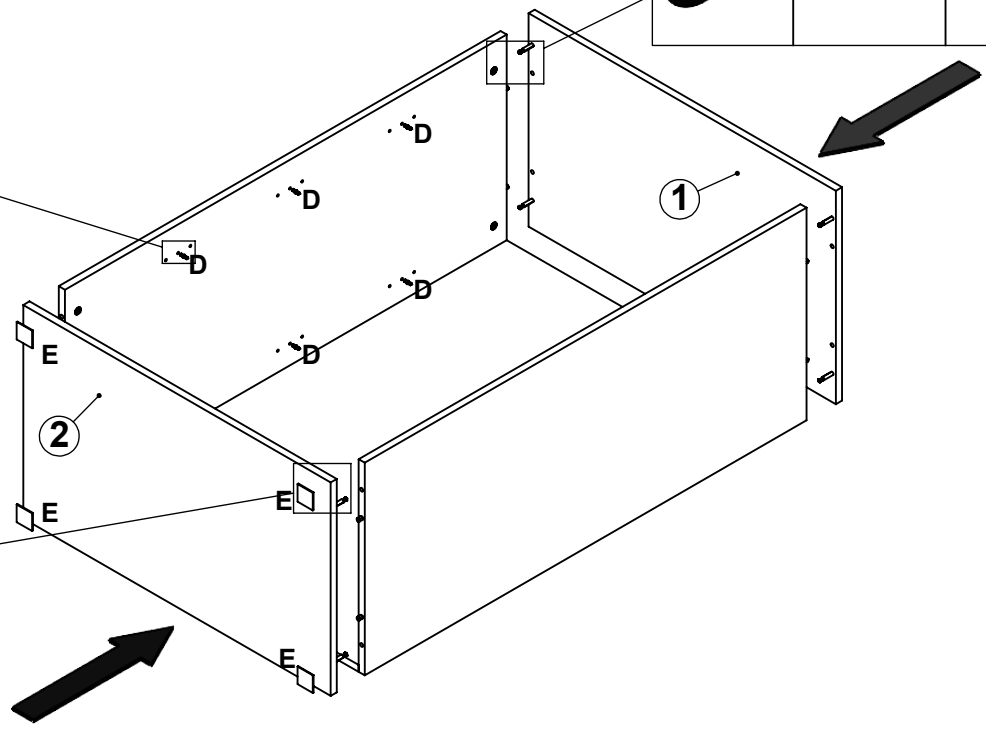


D

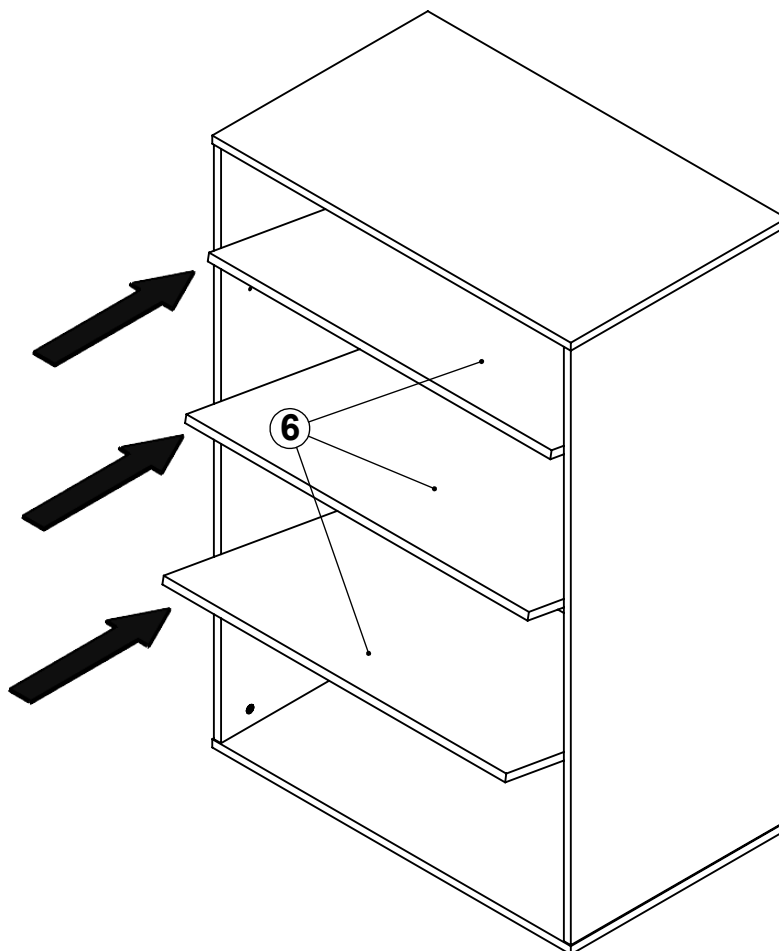


x4

E



### STEP - 4



**QC-CODE**

(UK) for service requests

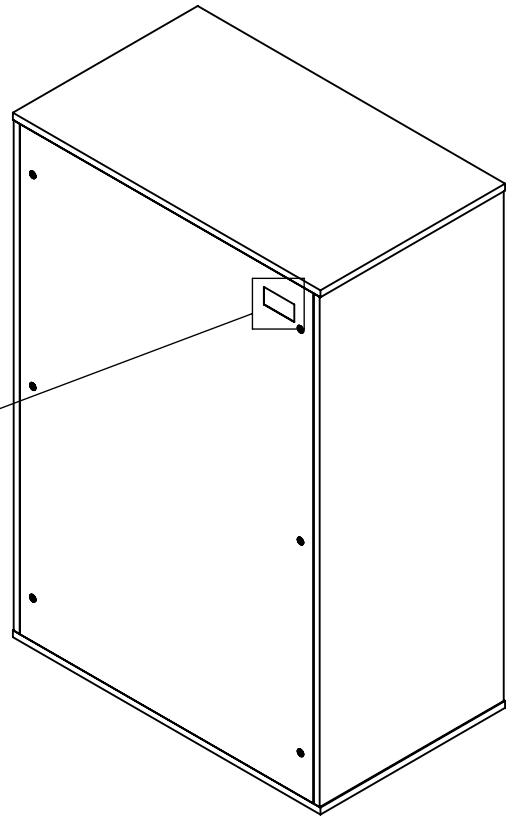
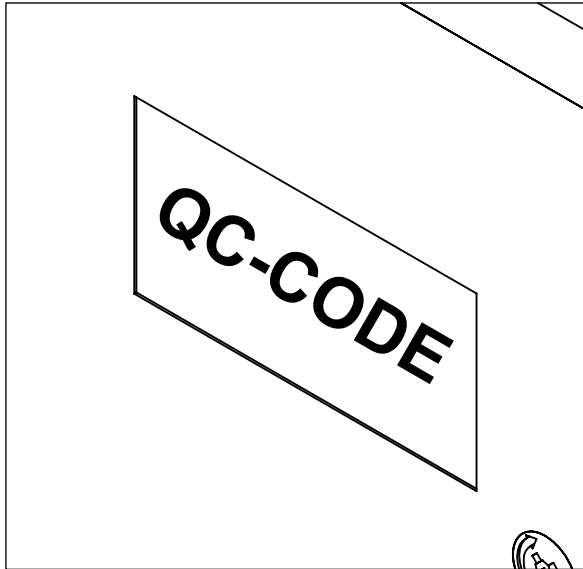
(NL) voor service vragen

(FR) pour les demandes de service

(DE) für Service Anfragen

(ES) para consultas de servicio

(IT) per richieste di assistenza



# LUCAS

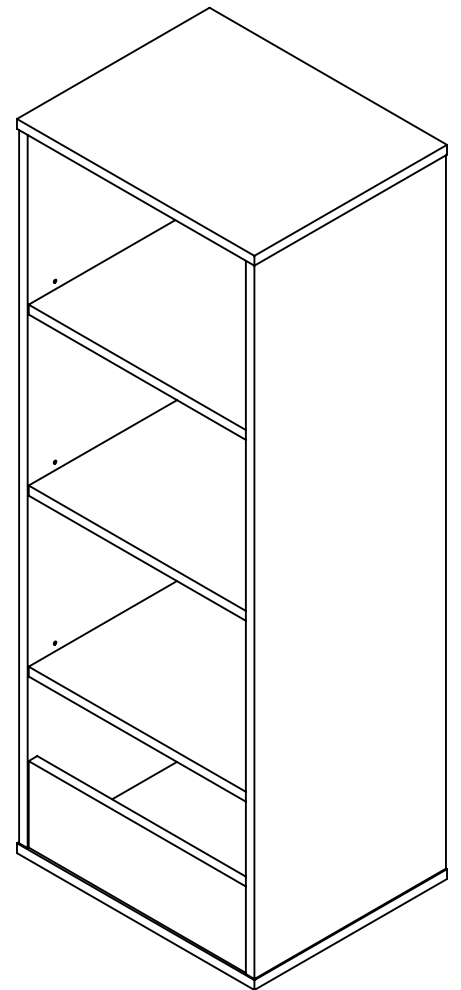
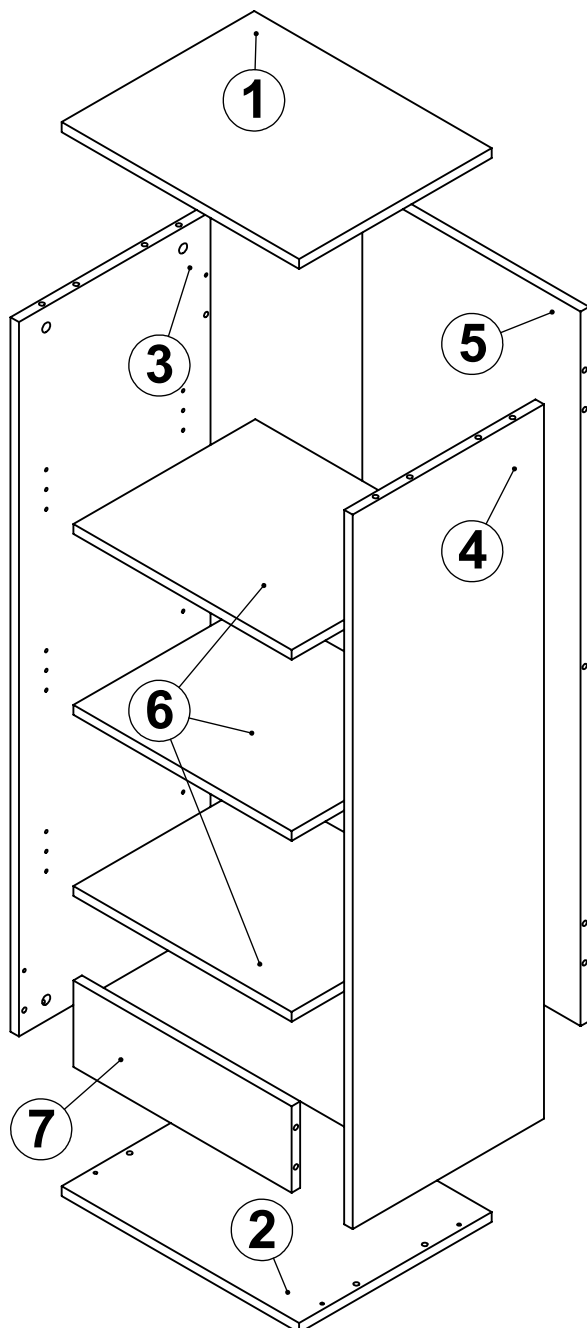
002 / 317/2023

## BOOKCASE SMALL HS


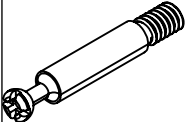
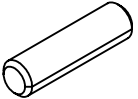
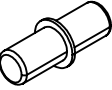
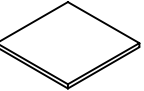

### ART CODE: 456 23 201

# bopita®

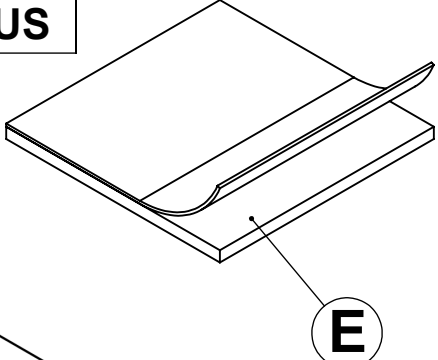
"BOPITA"  
LION INTERNATIONAL B.V.  
ENERGIEWEG 1  
6662 NS ELST GLD  
NEDERLAND  
[www.bopita.com](http://www.bopita.com)



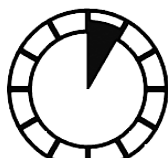
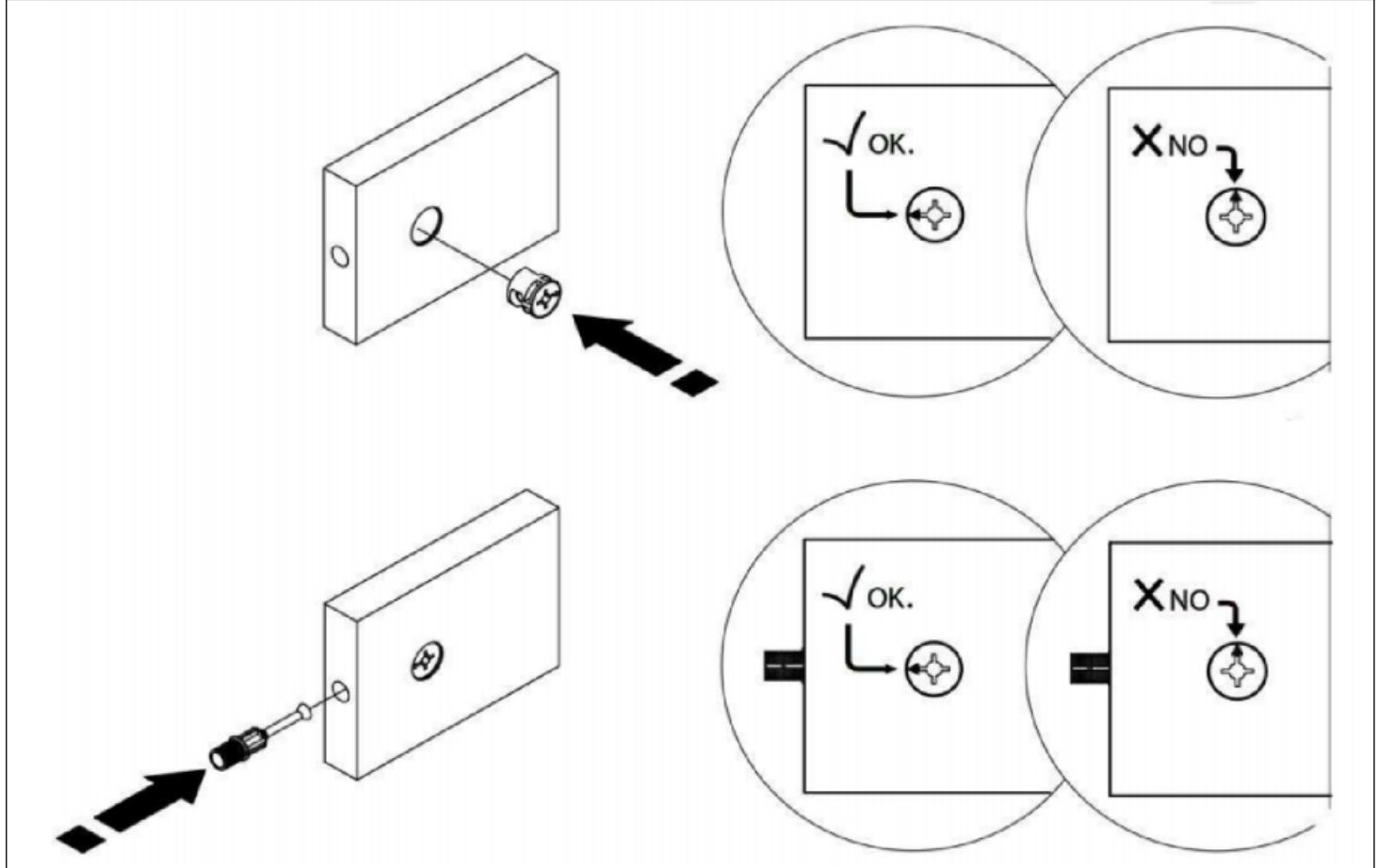
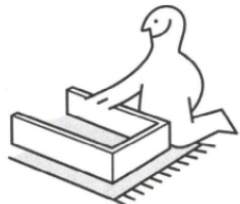
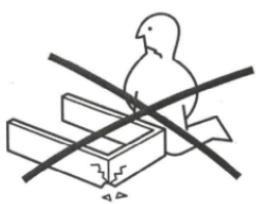
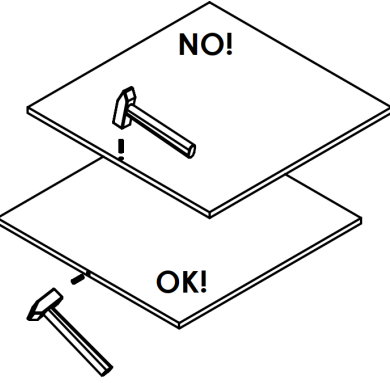


		 8x30			
<b>A x 16</b>	<b>B x 16</b>	<b>C x 14</b>	<b>D x 12</b>	<b>E x 4</b>	<b>IMBUS</b>

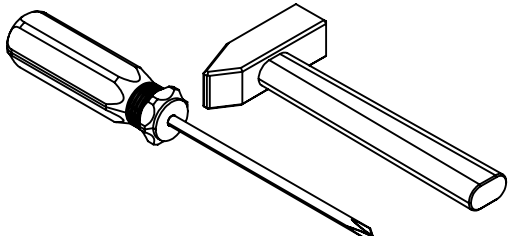
**BEFORE ASSEMBLY**



**E**



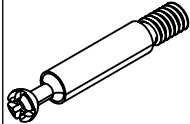
**45 min.**



# STEP - 1

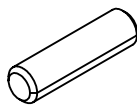


Ax16



Bx16

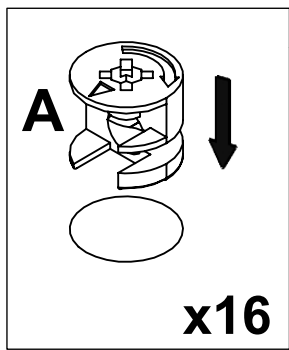
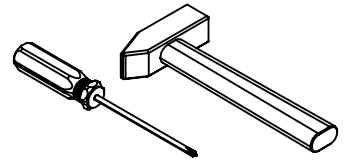
8x30



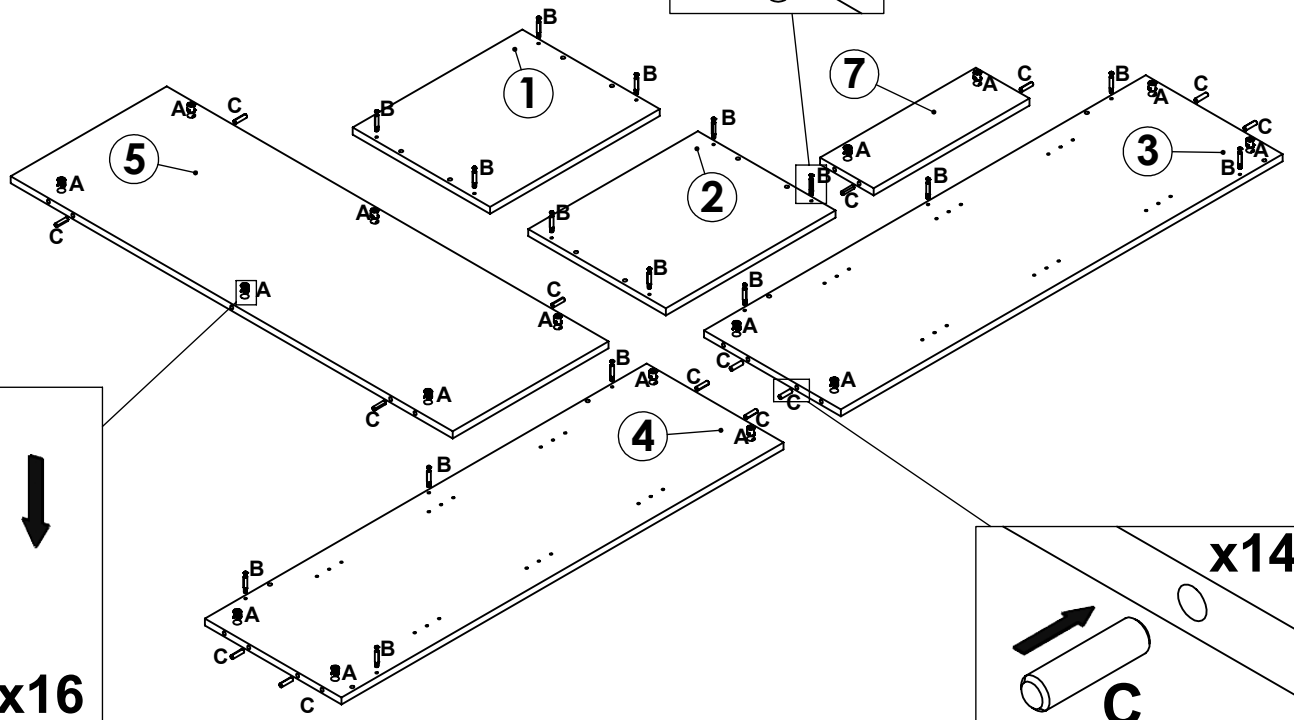
Cx14

x16

B



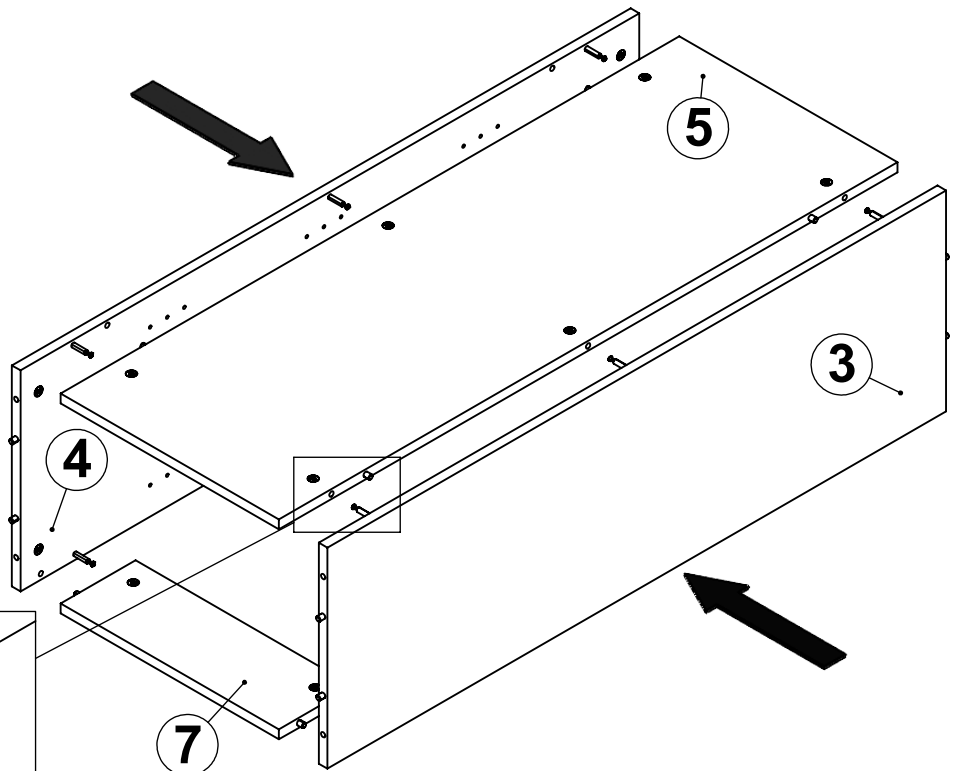
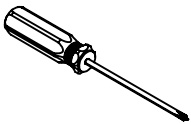
x16



x14

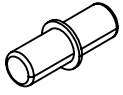
C

# STEP - 2

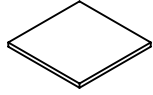


x8

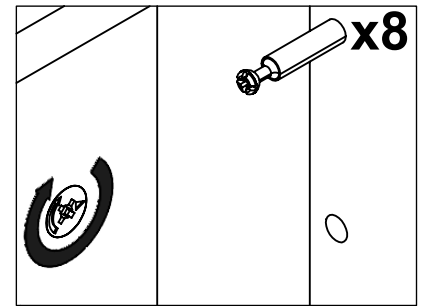
**STEP - 3**



**Dx12**



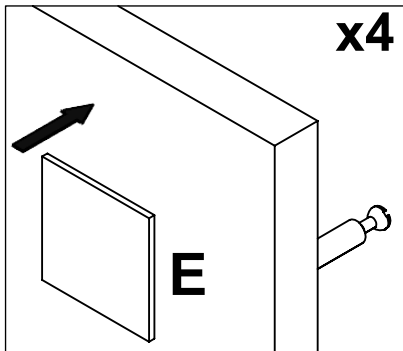
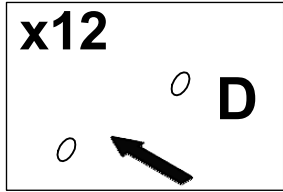
**Ex4**



**x8**

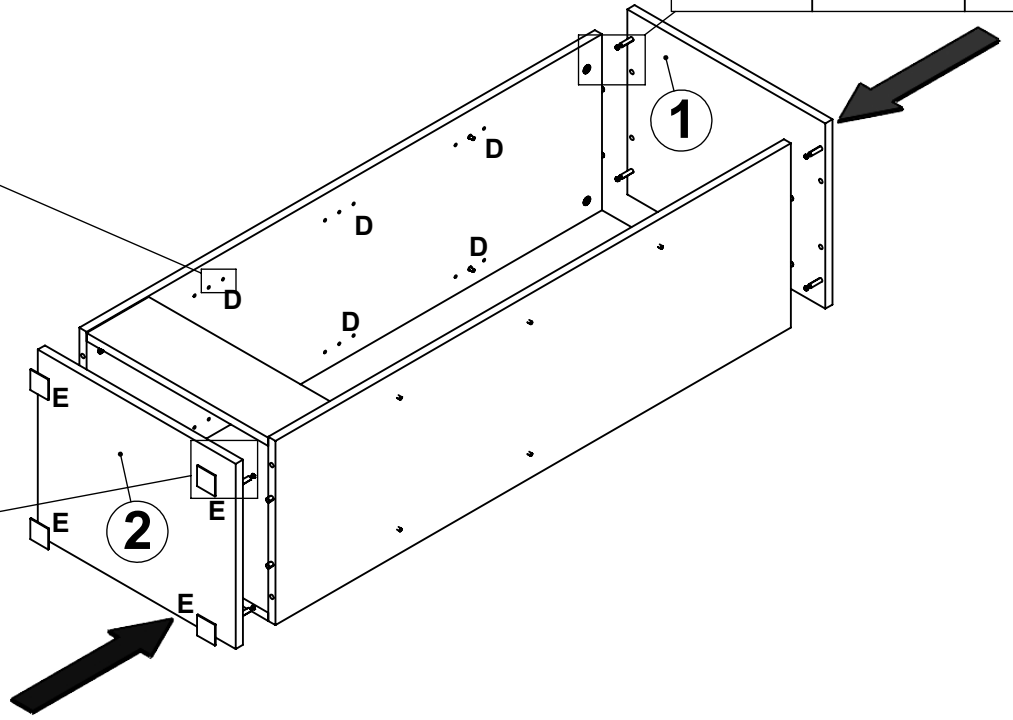
**x12**

**D**

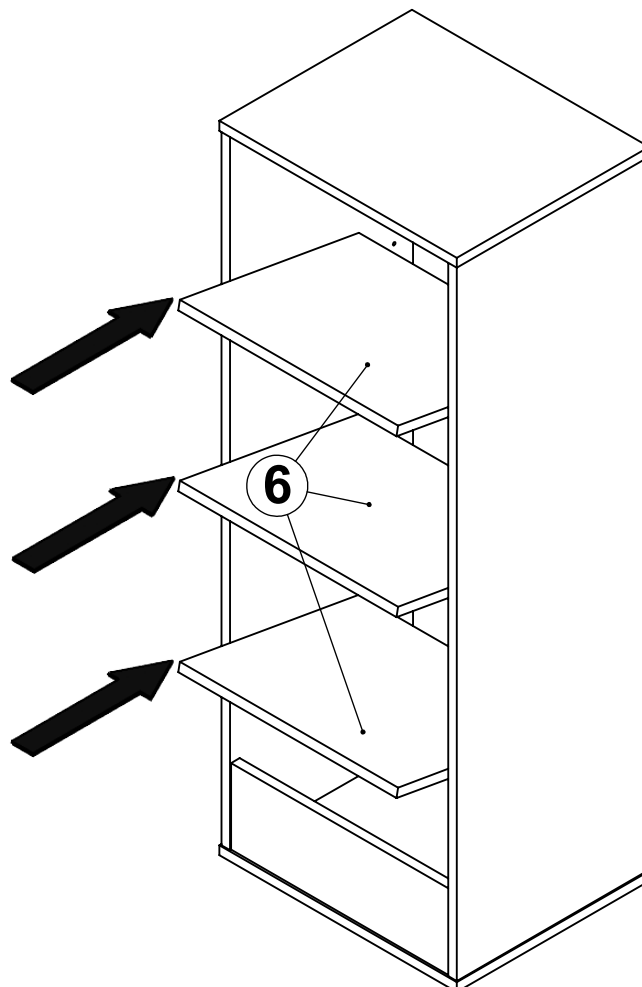


**x4**

**E**



**STEP - 4**



**QC-CODE**

**(UK) for service requests**

**(NL) voor service vragen**

**(FR) pour les demandes de service**

**(DE) für Service Anfragen**

**(ES) para consultas de servicio**

**(IT) per richieste di assistenza**

